

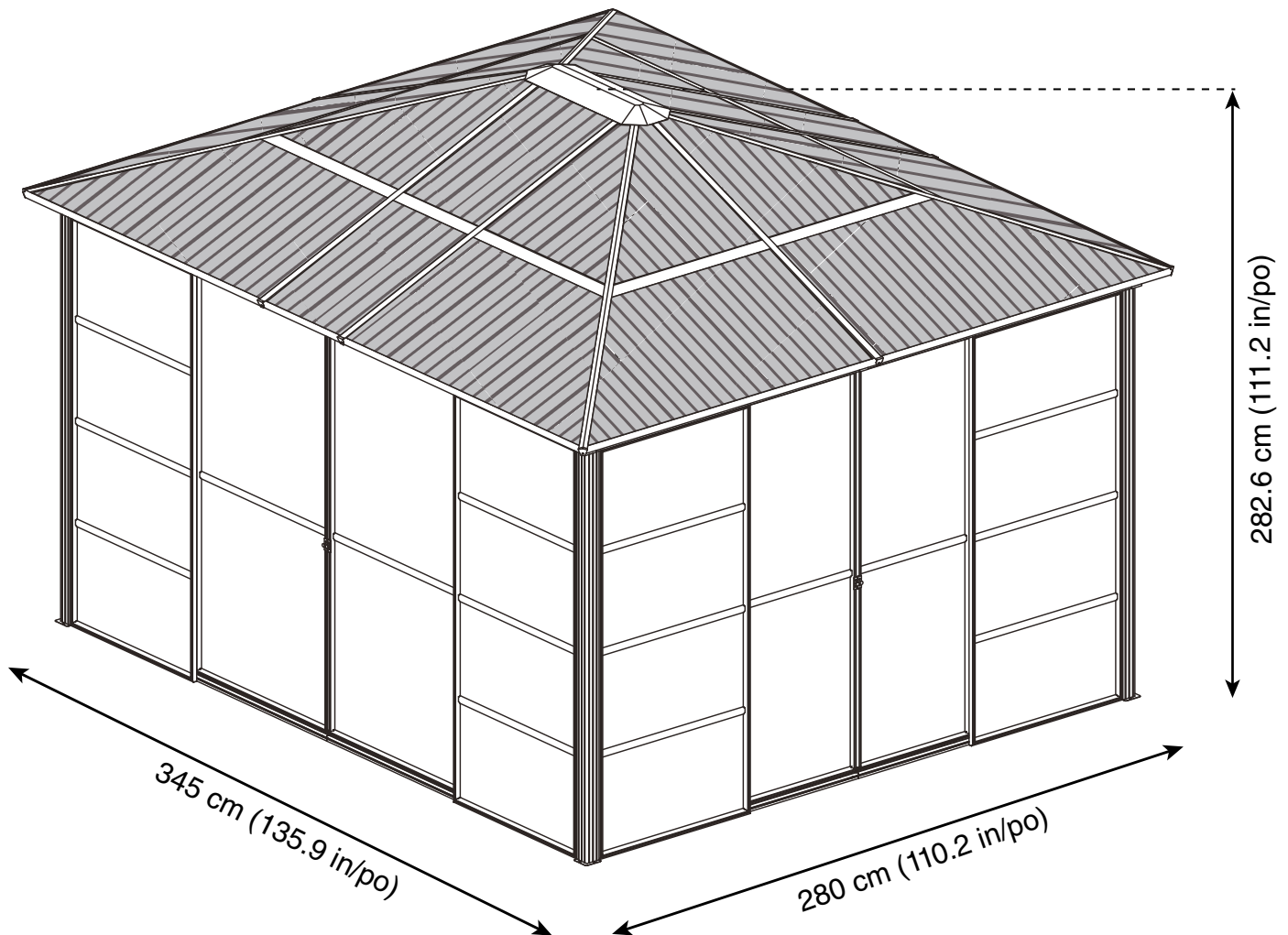
# SOJAG

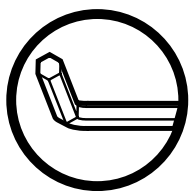
produits saisonniers • seasonal products



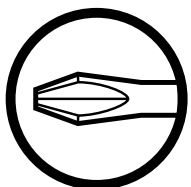
Sojag code: 999-7161359  
CUP/UPC code: 772830161359

## Assembly Manual / Guide d'assemblage / Manual de ensamblaje / 조립 설명서 / Montageanleitung

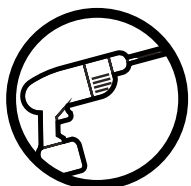




Use the hex keys in the box. / Utilisez les clés hexagonales fournies dans la boîte. / Utilice las llaves hexagonales en la caja. / 상자에 육각 키를 사용 하십시오. / Verwenden Sie die Sechskantschlüssel in der Box.



Please use a Phillips screwdriver. / Utilisez un tournevis de type Phillips / Por favor, use un destornillador Phillips. / 십자 드라이버를 사용 하십시오. / Bitte verwenden Sie einen Kreuzschraubenzieher.



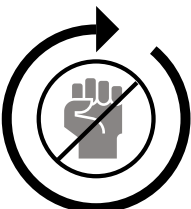
You may need to use a drill for this step. / Vous pouvez avoir besoin d'utiliser une perceuse pour cette étape. / Puede que tenga que utilizar un taladro para este paso. / 이 단계에선 드릴을 사용해야 할 수도 있습니다. / Für diesen Schritt können Sie einen Bohrer verwenden.



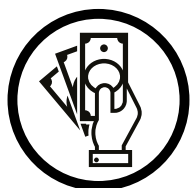
Wearing protective gloves is recommended. / Le port de gants de protection est recommandé / El uso de guantes de protección se recomienda. / 보호 장갑을 착용 하는 것이 좋습니다. / Das Tragen von Schutzhandschuhen wird empfohlen.



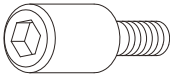

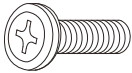
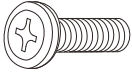
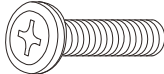
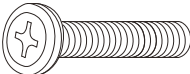
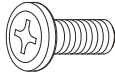
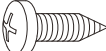



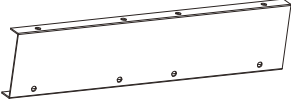


Two or more people are required at this stage. / Deux personnes ou plus sont nécessaires à cette étape. / Dos o más personas se requieren en esta etapa. / 이 단계에서는 두 명 이상이 필요합니다. / Für diesen Bauschritt sind 2 oder mehr Personen erforderlich.

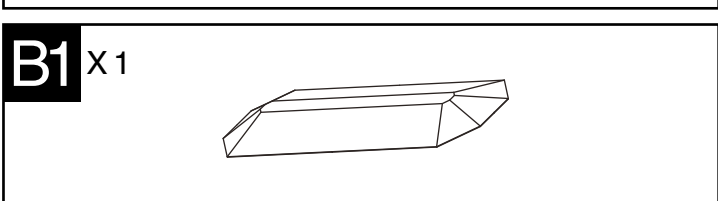
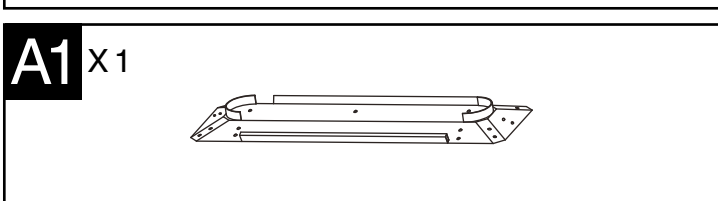
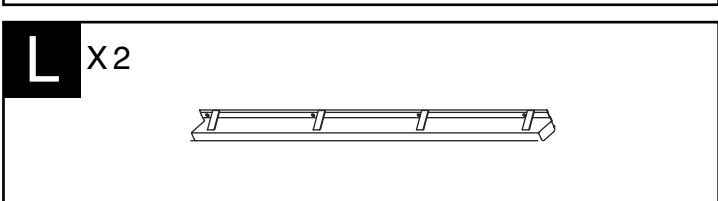
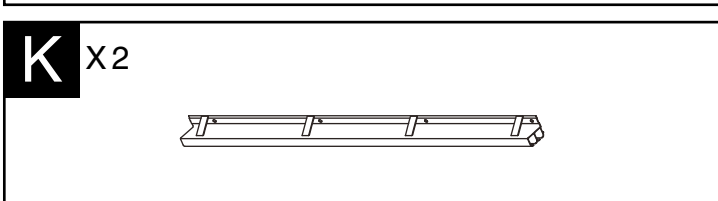
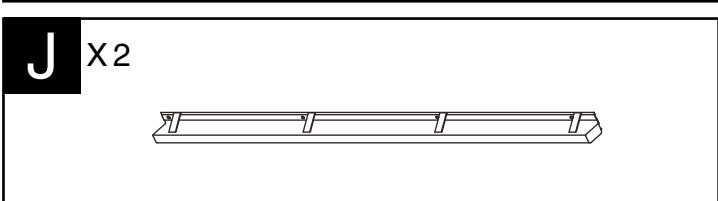
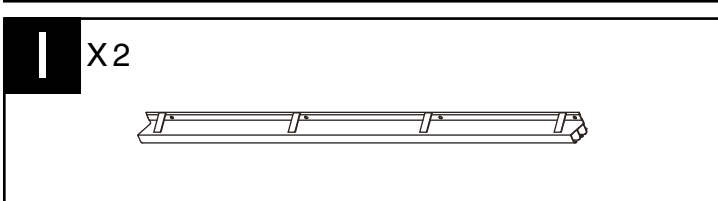
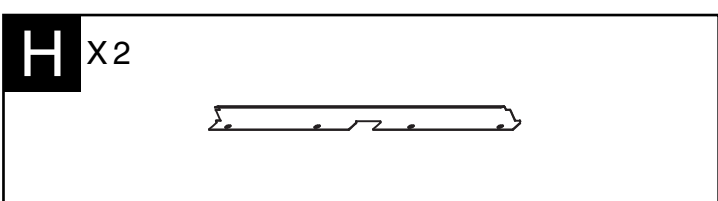
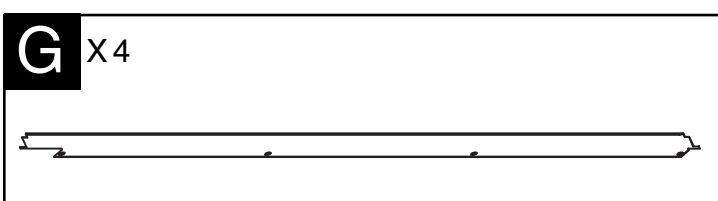
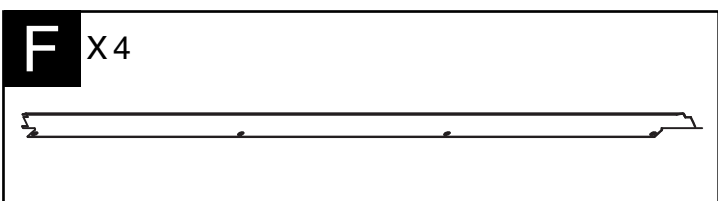
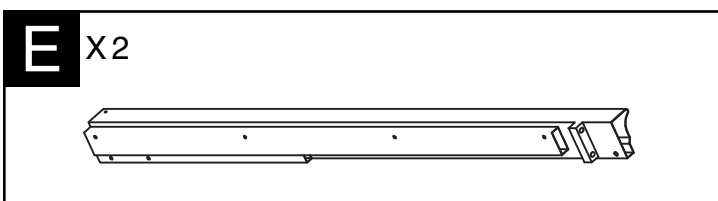
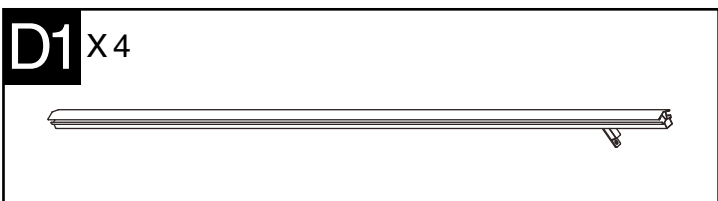
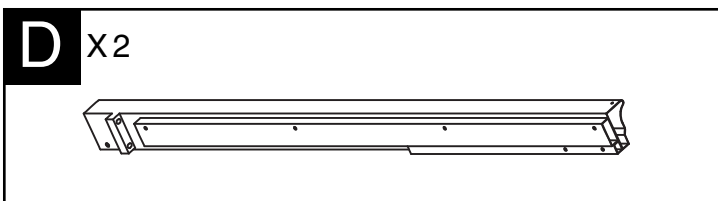
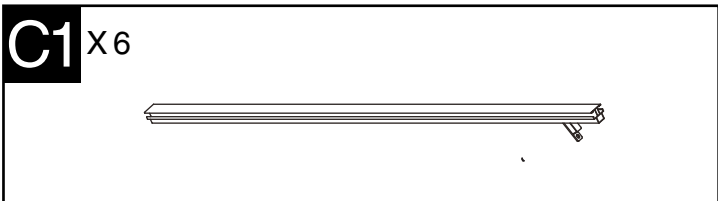
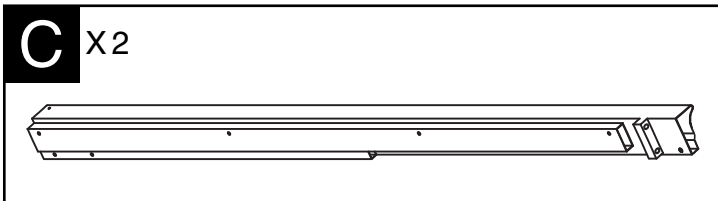
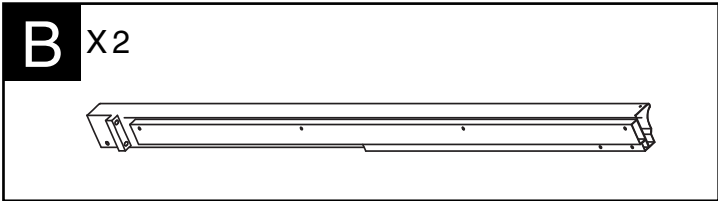
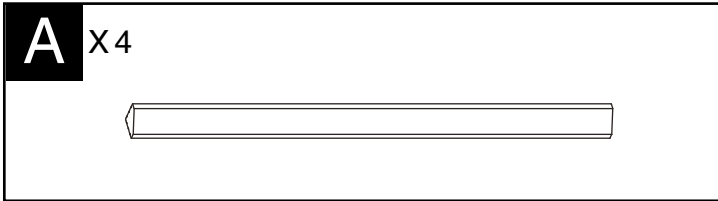


Do not tighten screws all the way for now. / Ne pas visser fermement pour l'instant. / No atornille con firmeza por ahora. / 아직 나사를 단단히 조이지 마십시오. / Bitte die Schrauben zum jetzigen Zeitpunkt noch nicht fest anziehen.



Sold separately. / Vendus séparément. / vendido en las opciones. / 옵션 판매 / Optional erhältlich

|  |  |
|--|--|
| <b>T1</b> X 24 (+2)<br>   | <b>V1</b> X 16 (+2)<br>   |
| <b>A2</b> X 209 (+10)<br> | <b>B2</b> X 16 (+2)<br>   |
| <b>C2</b> X 16 (+2)<br>   | <b>D2</b> X 25 (+2)<br>   |
| <b>E2</b> X 32 (+3)<br> | <b>F2</b> X 64 (+6)<br> |
| <b>H2</b> X 17 (+2)<br> | <b>K2</b> X 4<br>       |
| <b>K3</b> X 8<br>       | <b>K4</b> X 4<br>       |
| <b>G2</b> X 1<br>       | <b>Y</b> X 2<br>        |




**S** X2




**T** X2




**U** X2




**V** X2




**K1** X2




**L1** X4



**M1** X4




**N1** X4




**O1** X4




**P1** X2




**W** X1




**X** X5

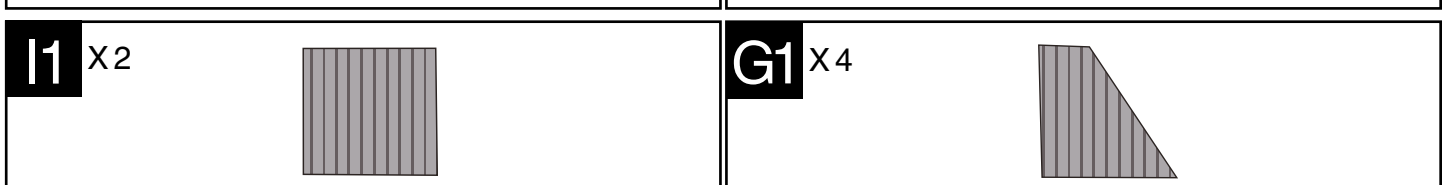
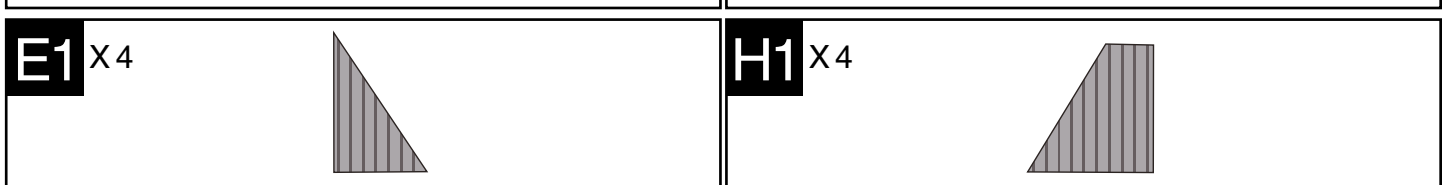
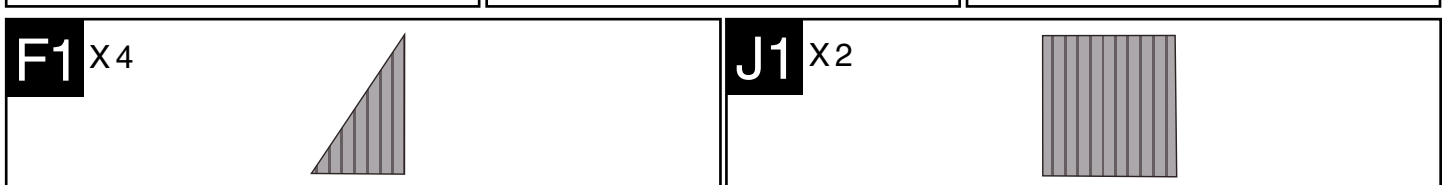
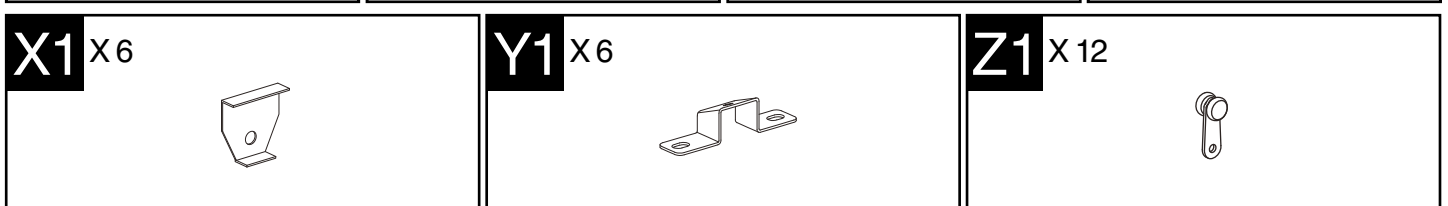
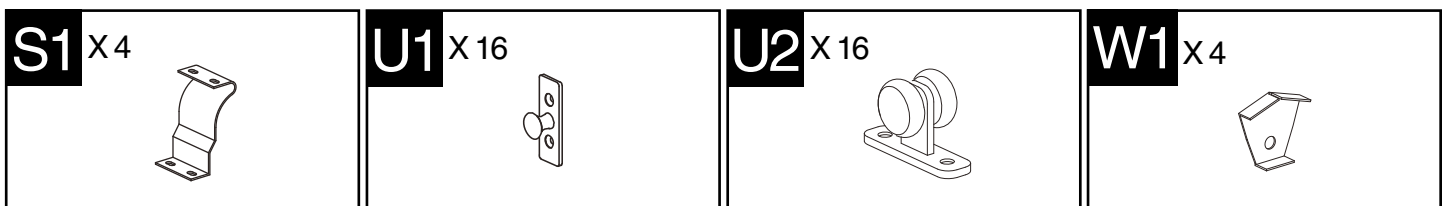
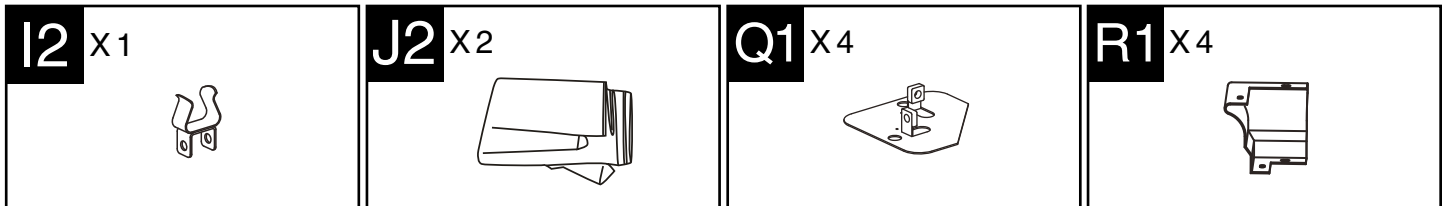
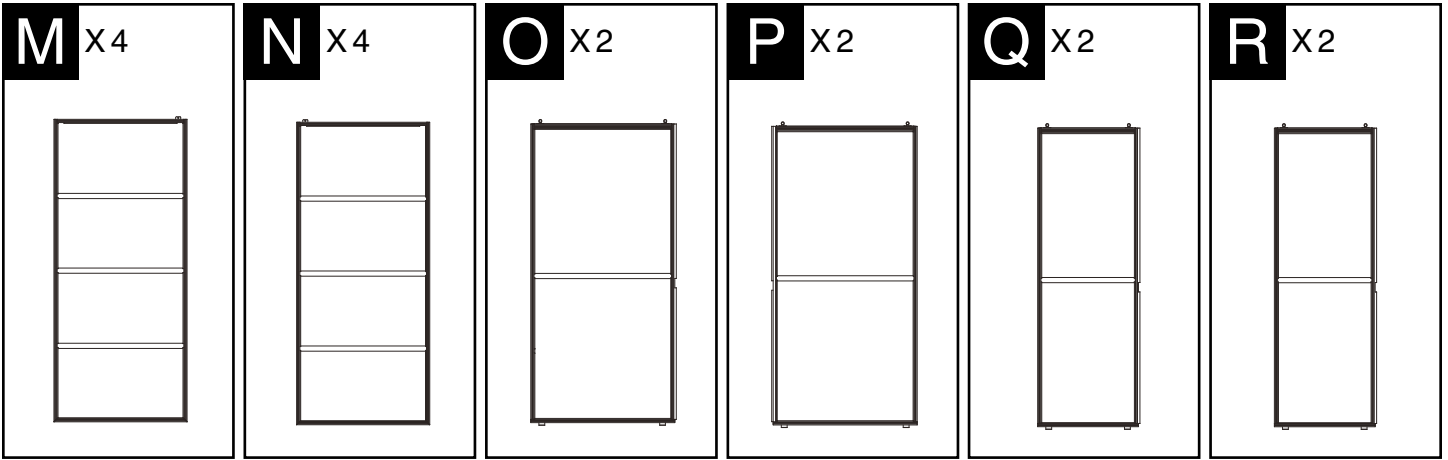


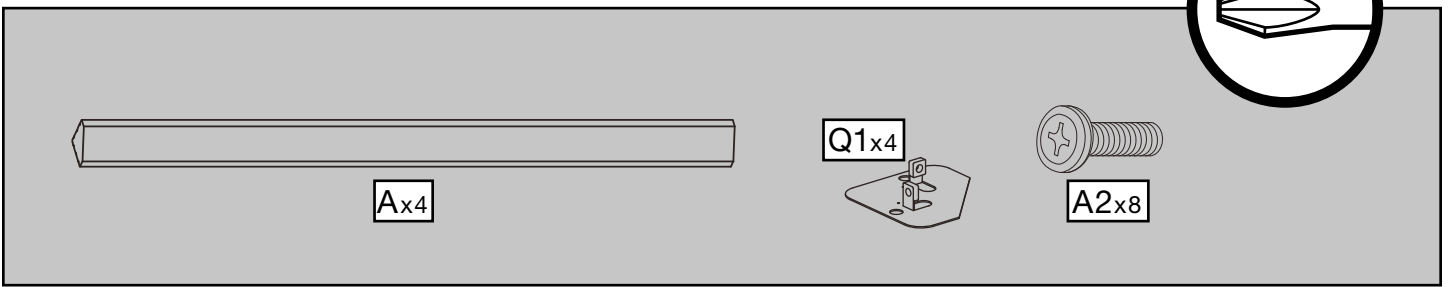
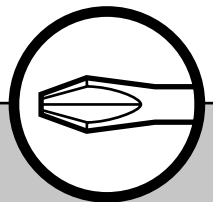
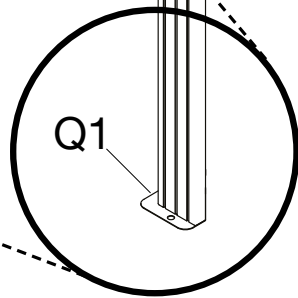
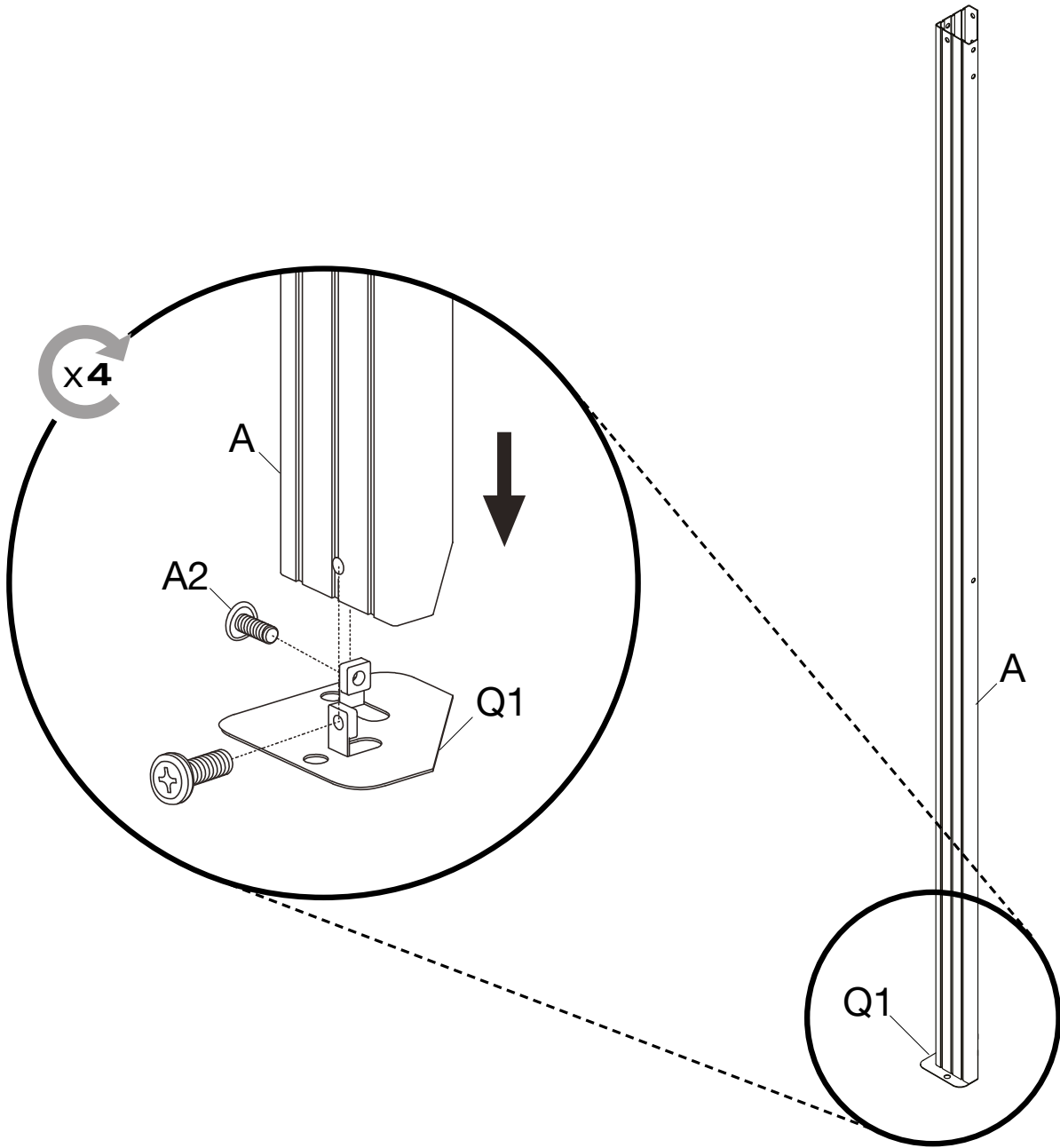
**Y** X6

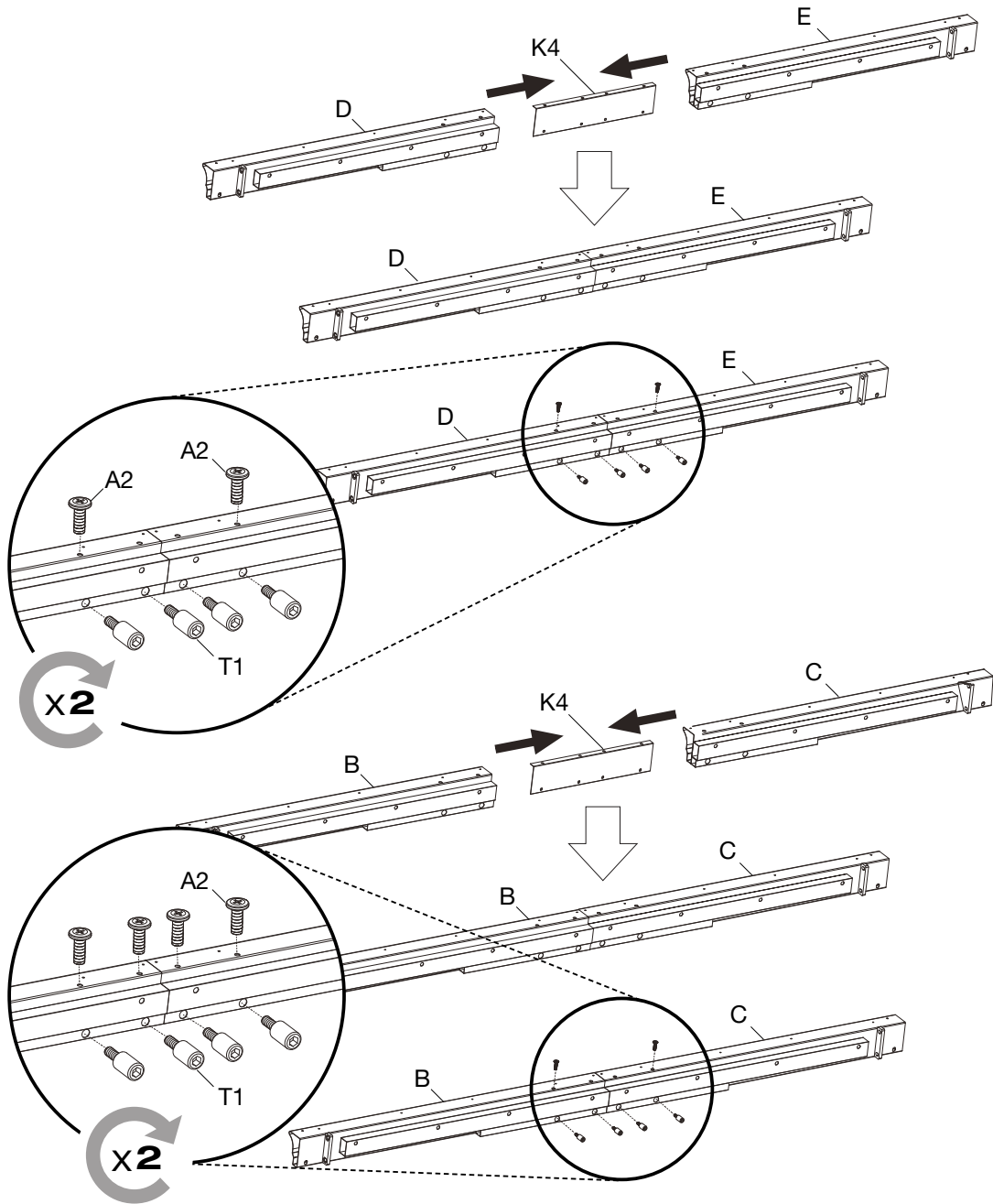


**Z** X4









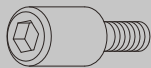
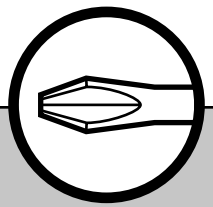
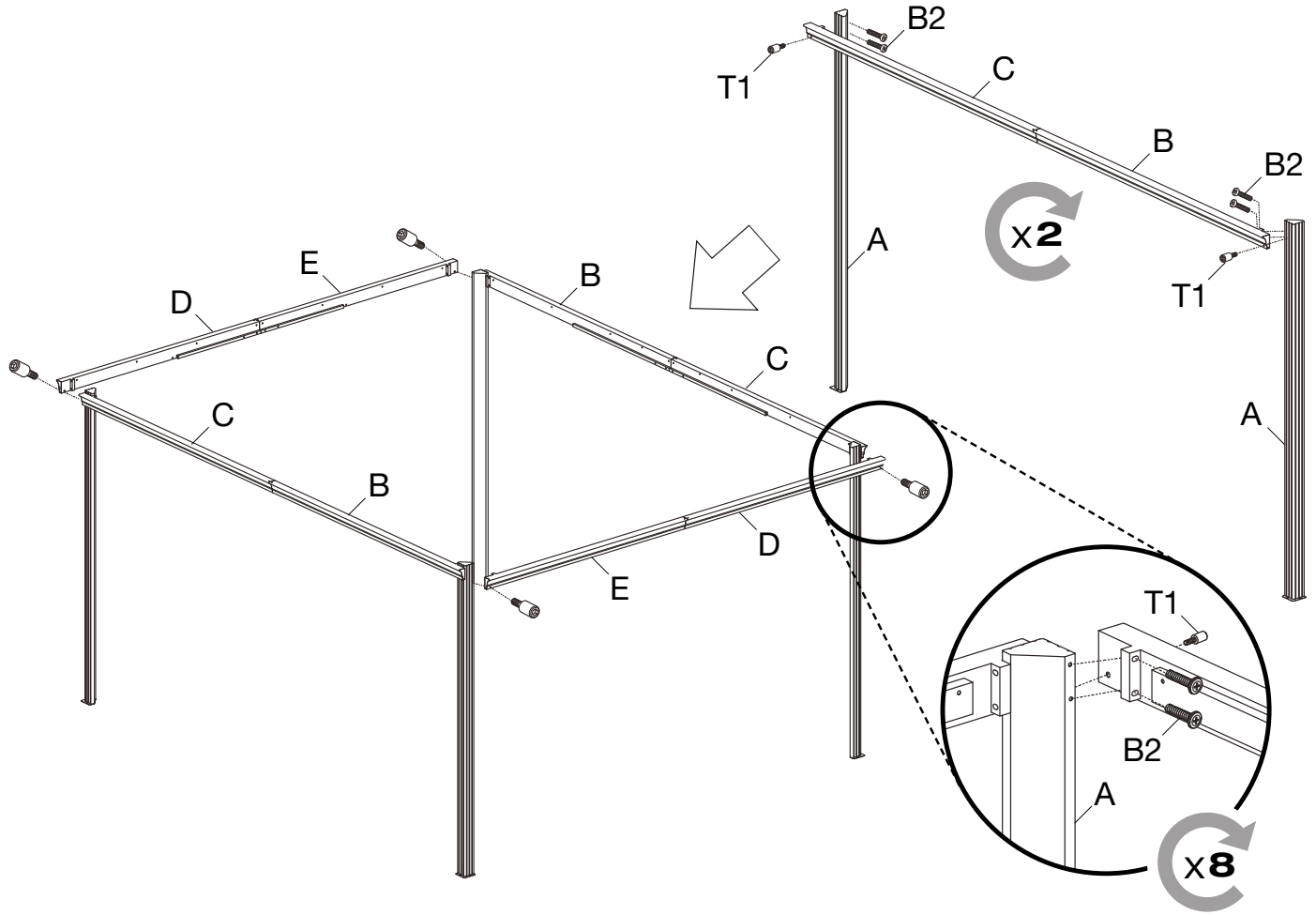
**Bx2**      **Dx2**

**Cx2**      **Ex2**

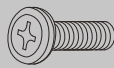
**K4x4**

**T1x16**      **A2x12**

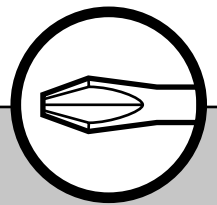
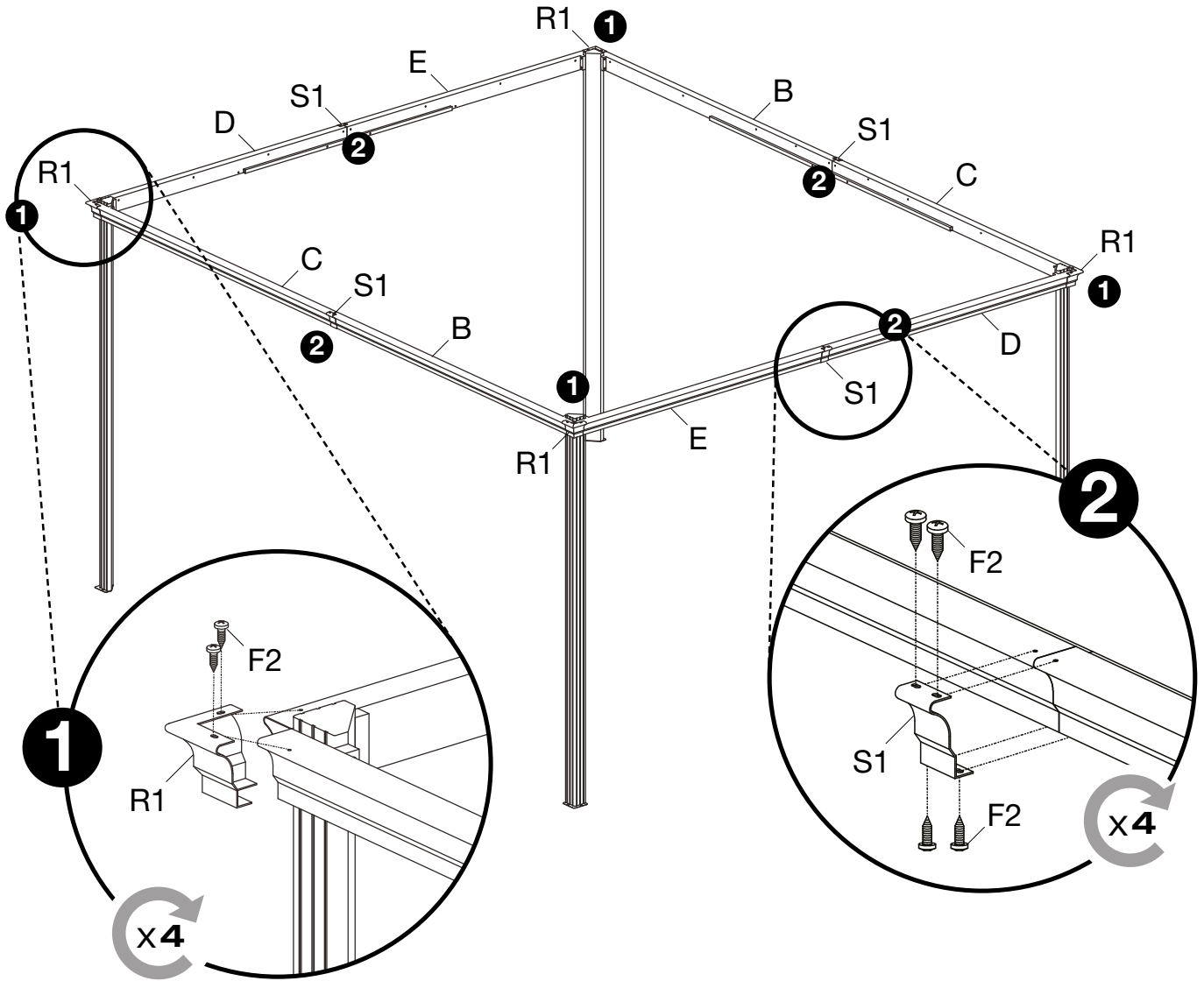




T1x8



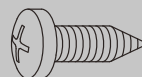
B2x16



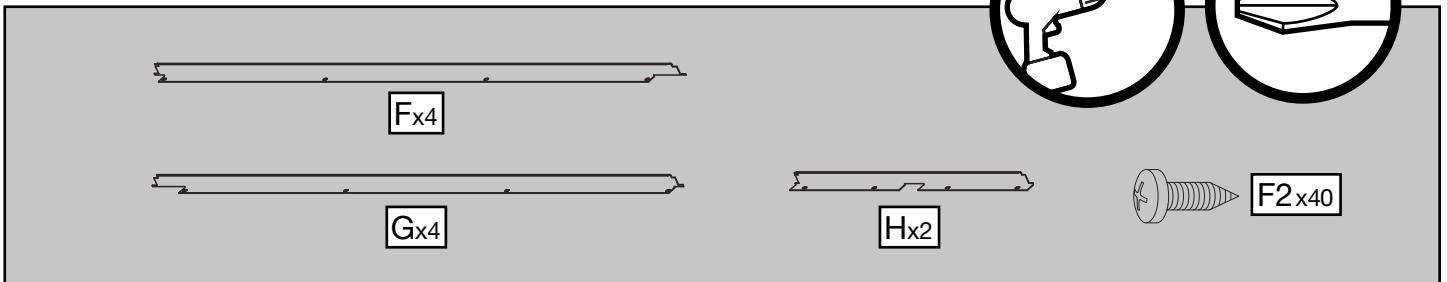
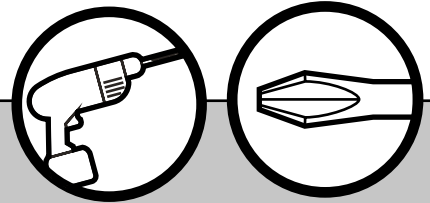
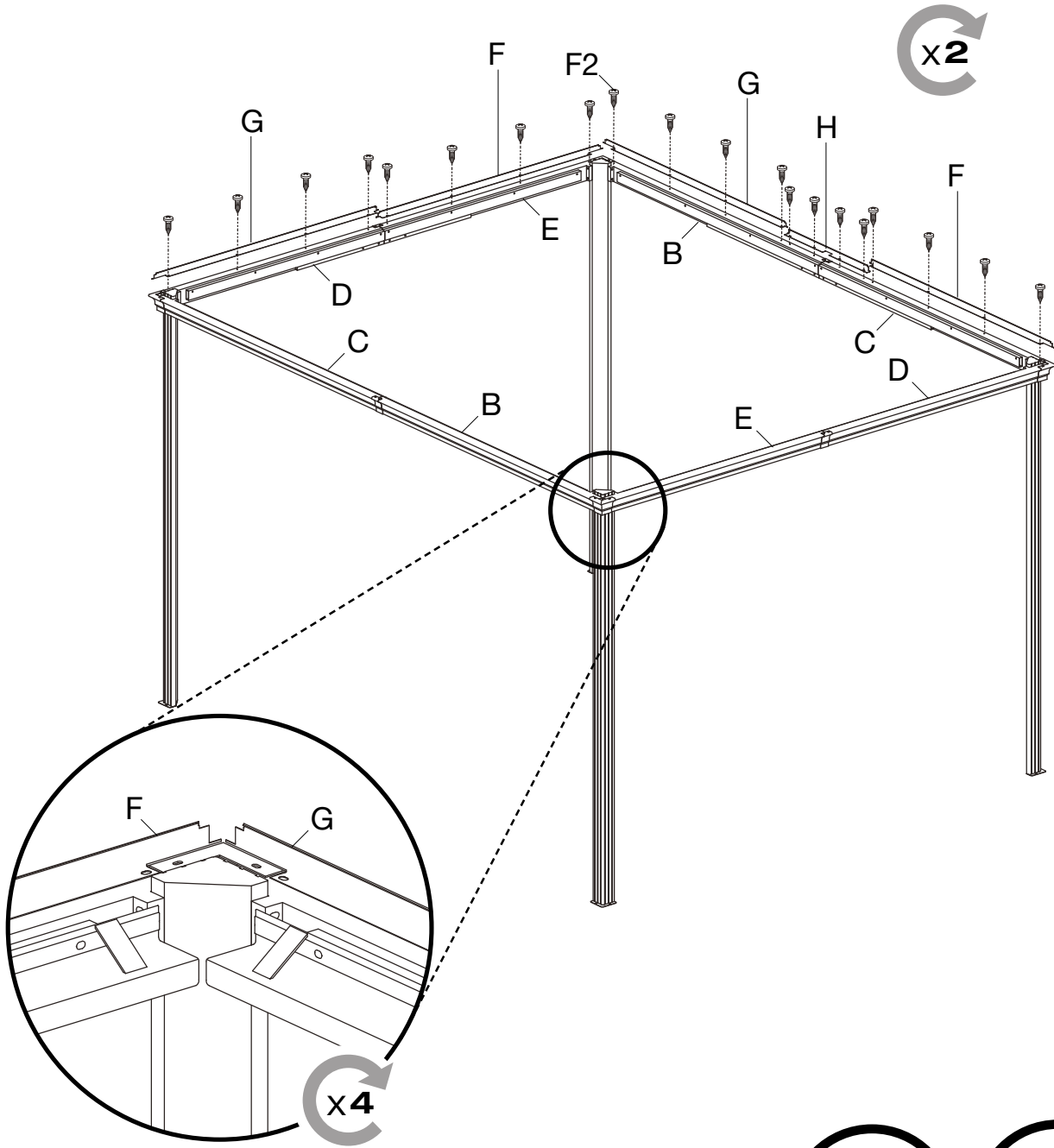
R1x4

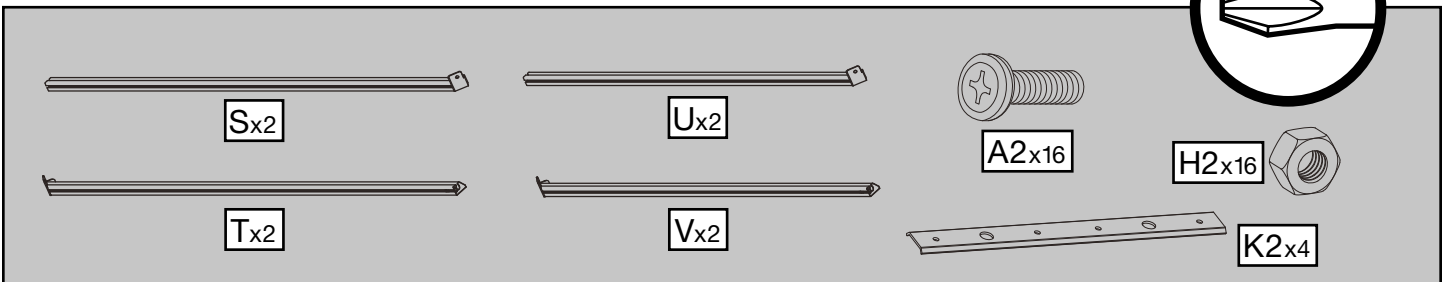
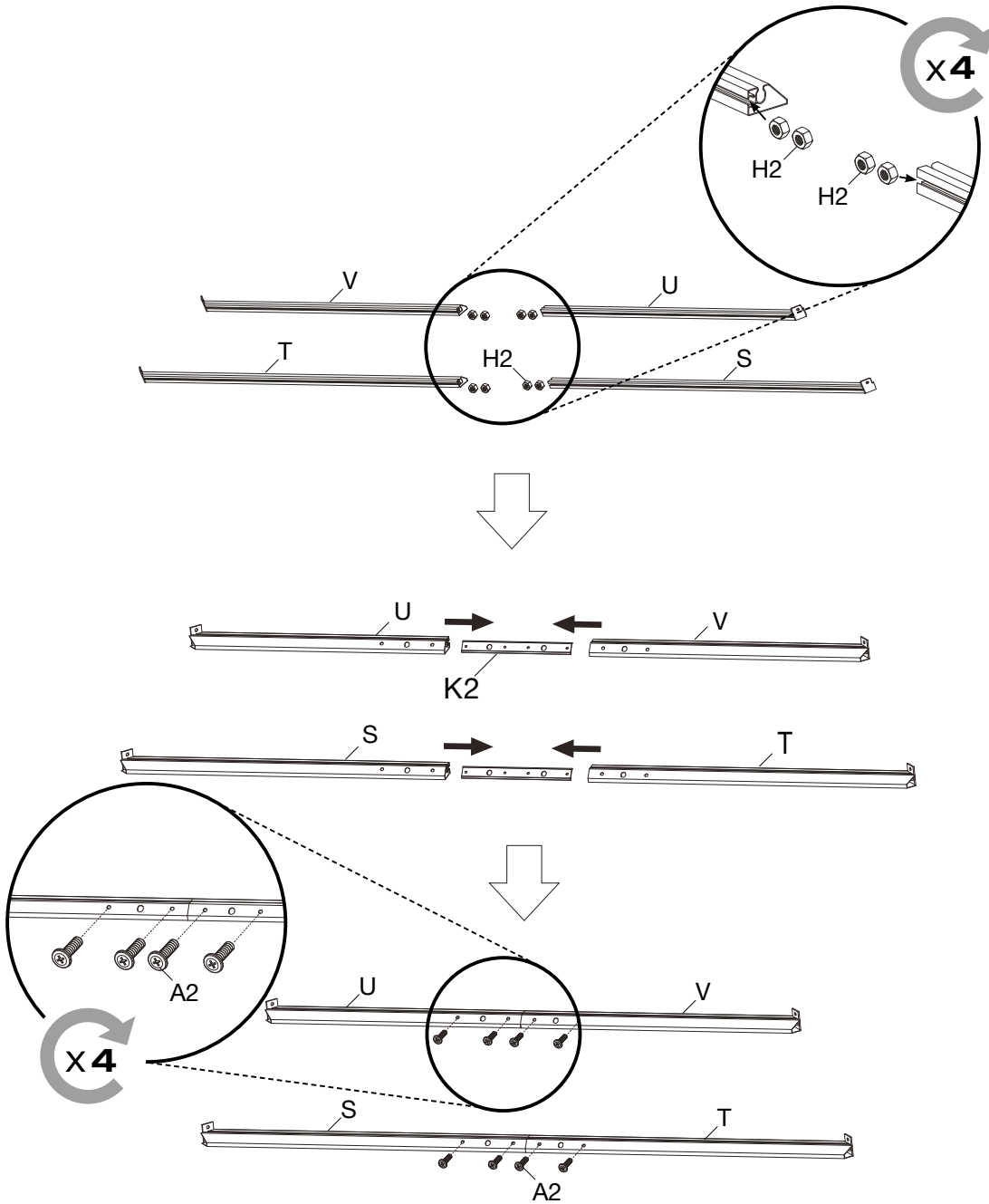


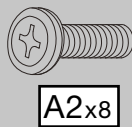
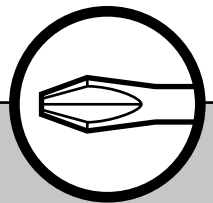
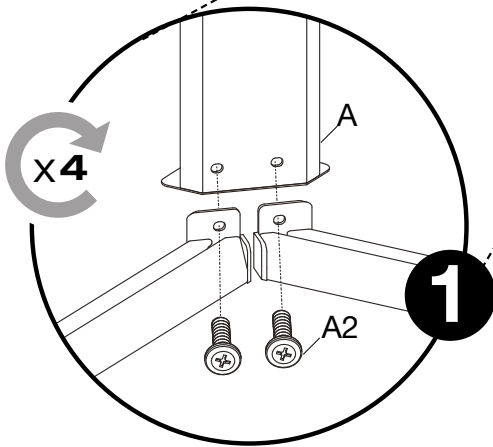
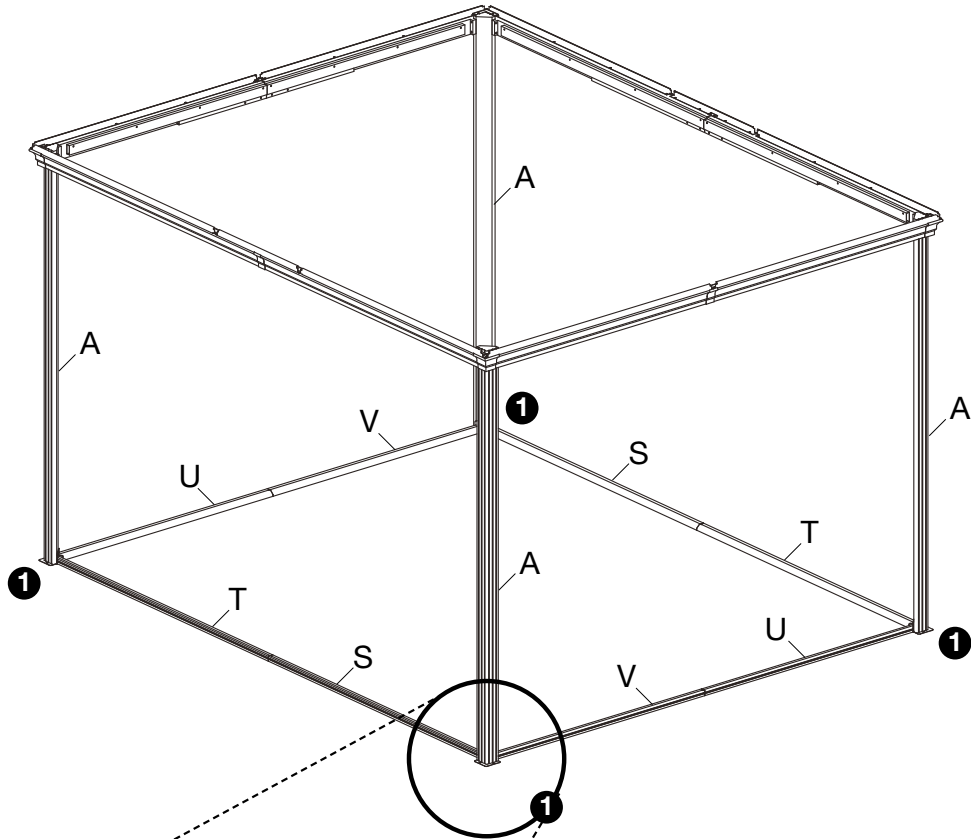
S1x4

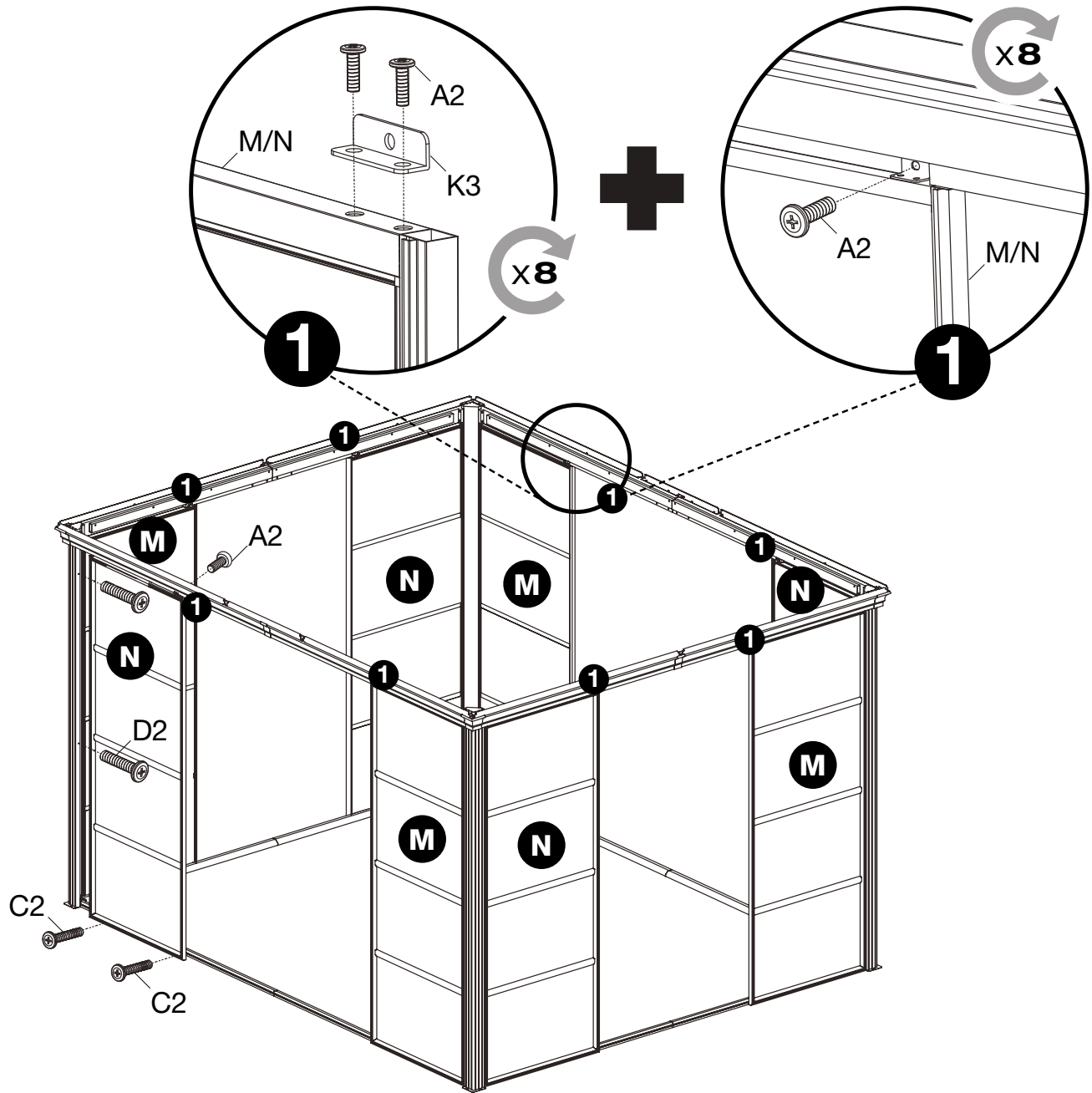


F2x24





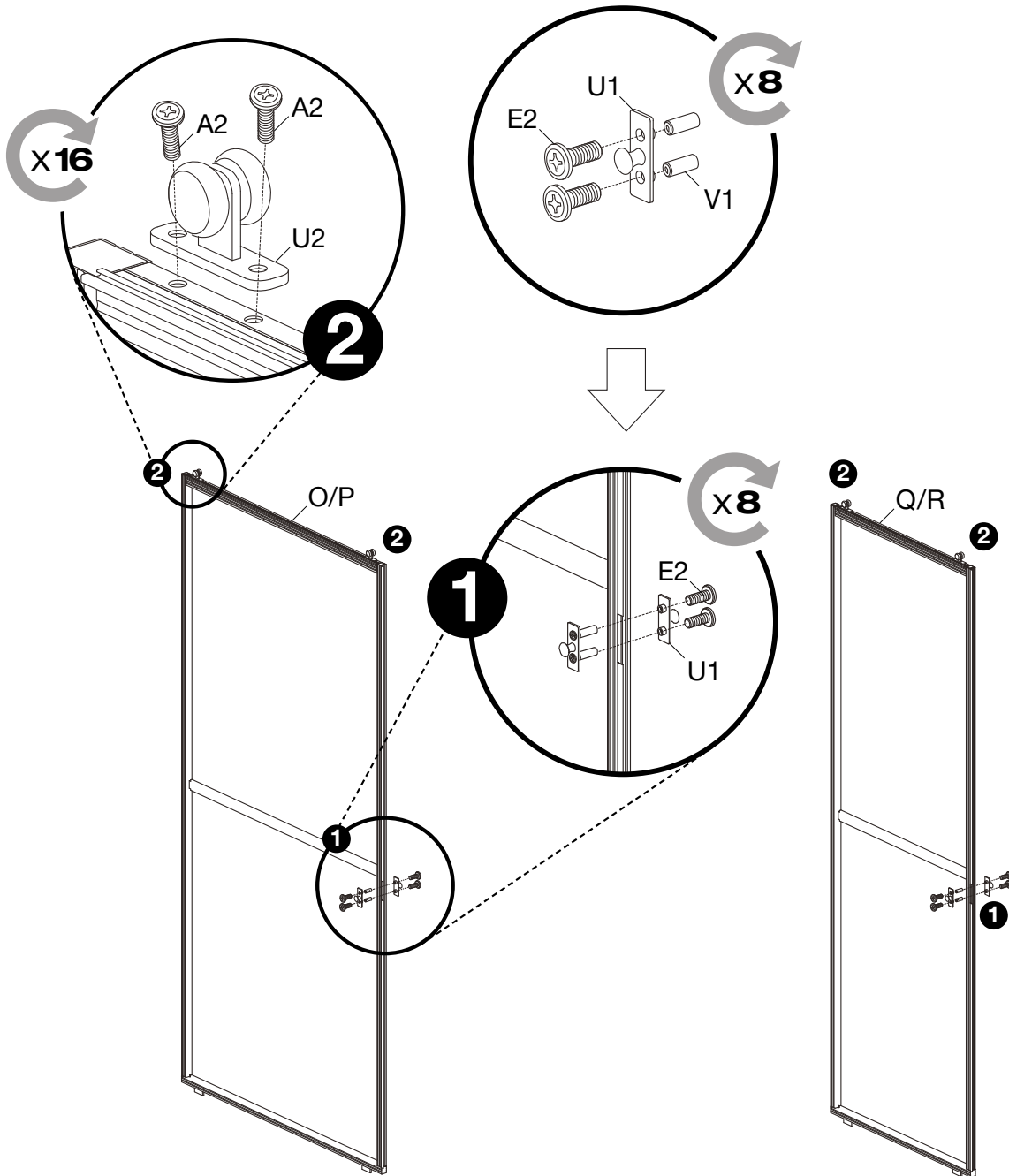




Mx4 Nx4

A2x24 D2x16

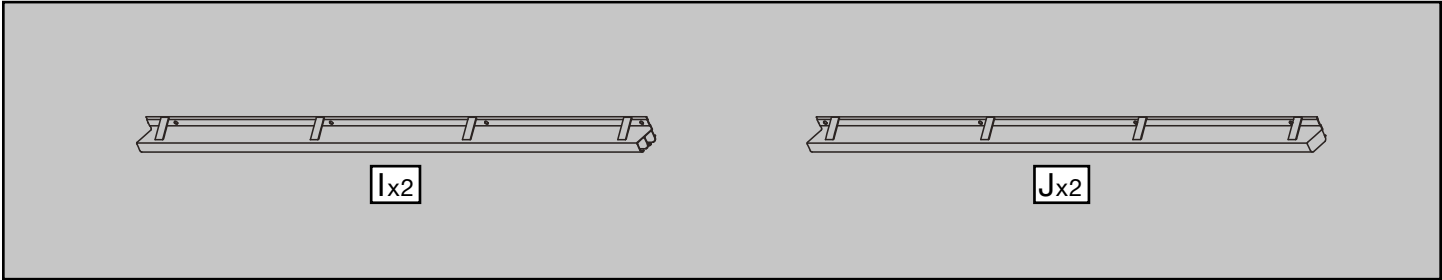
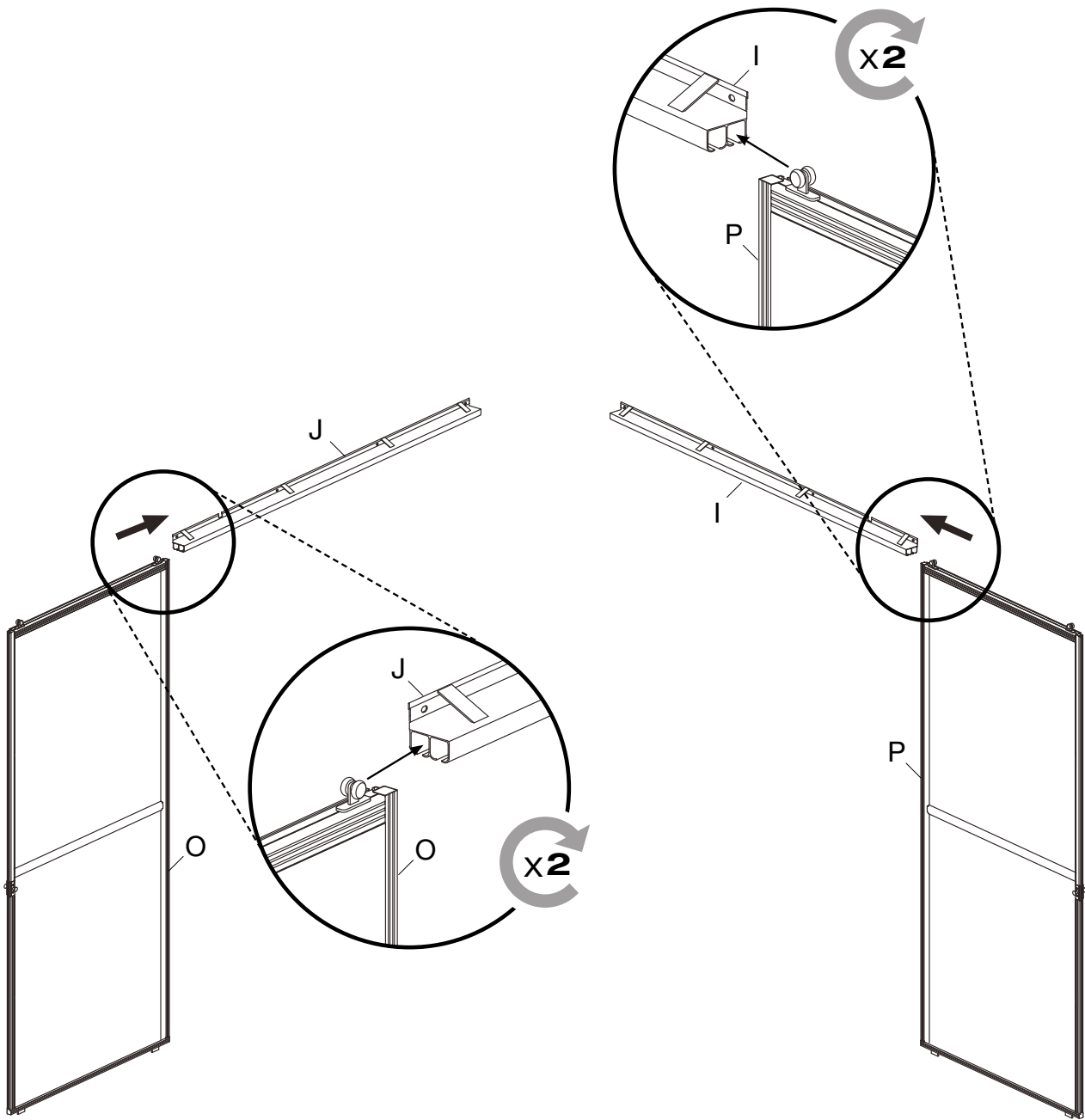
C2x16 K3x8



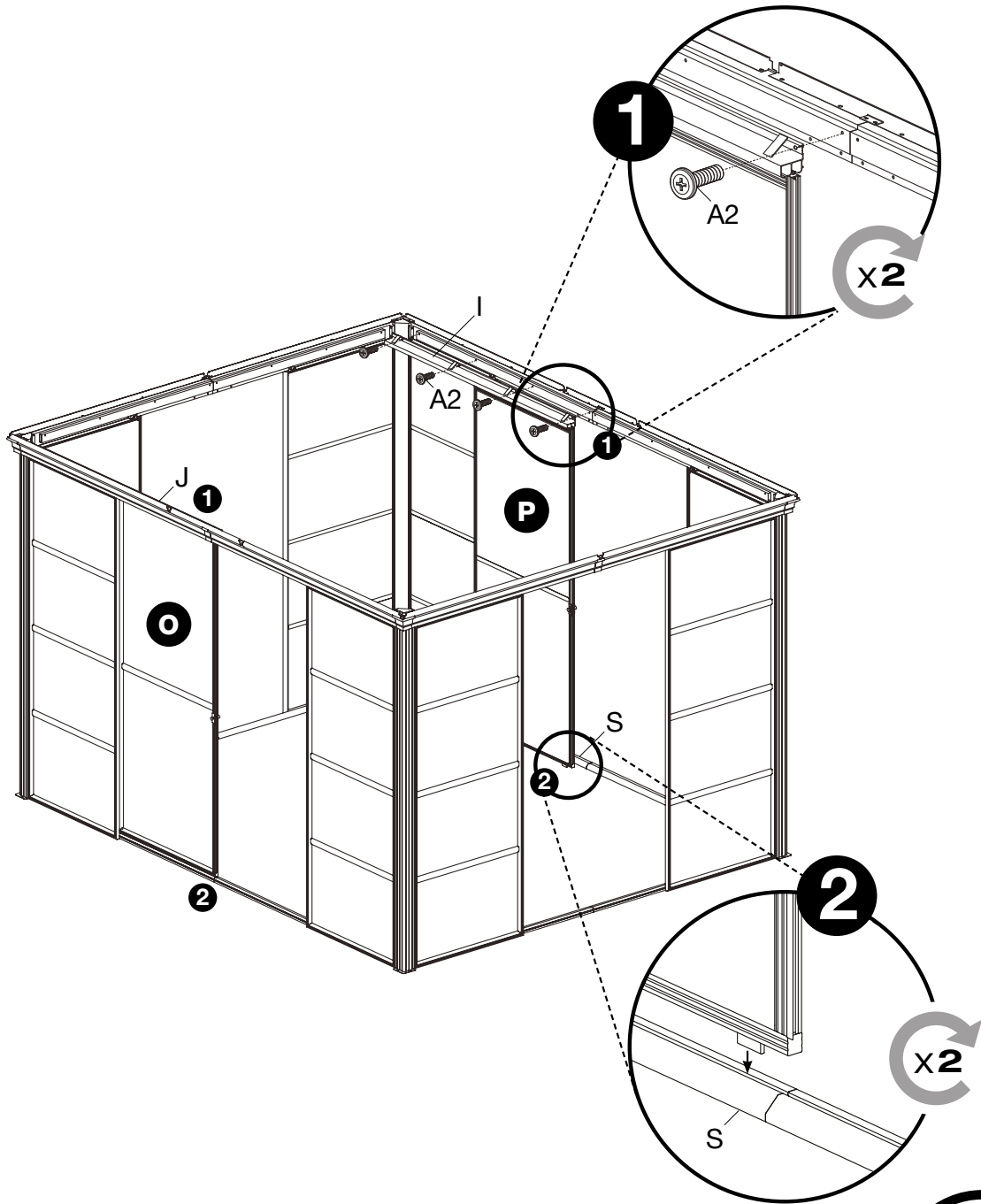
**Parts List:**

- Ox2
- Px2
- Qx2
- Rx2
- V1x16
- U2x16
- E2x32
- U1x16

**Tools:** Power drill, Hex key







1

A2

x2

1

A2

P

O

J

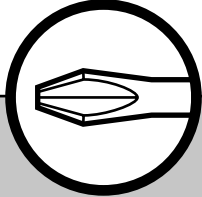
2

S

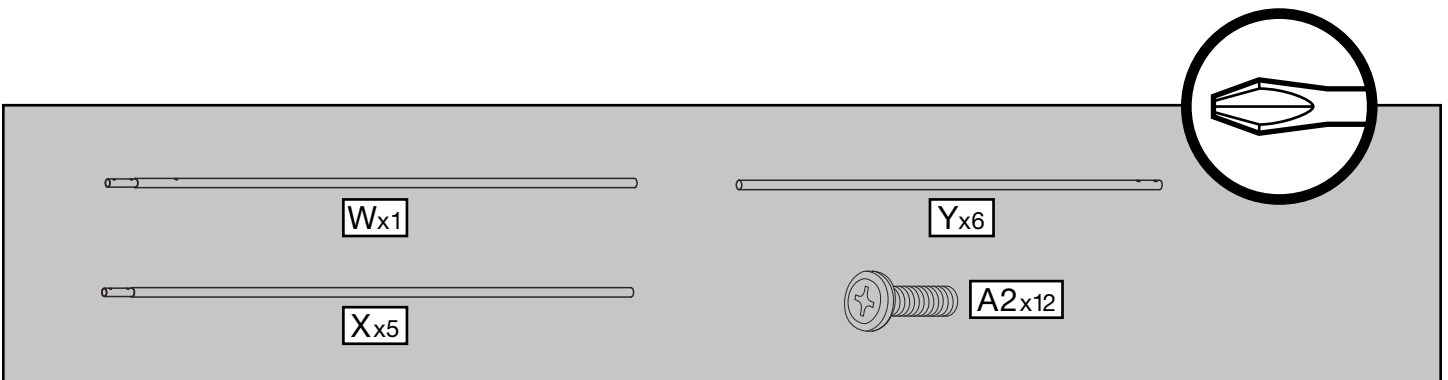
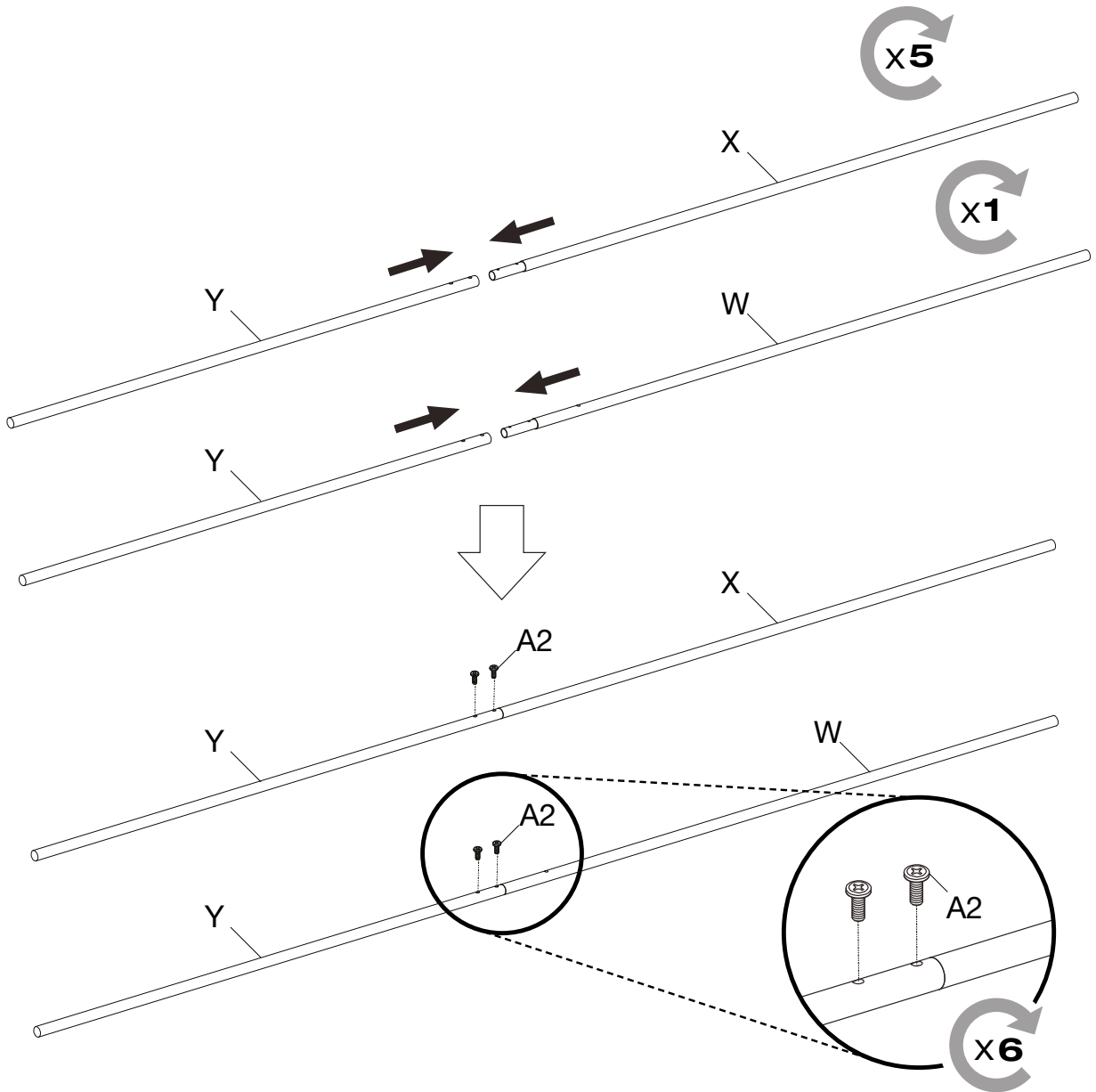
2

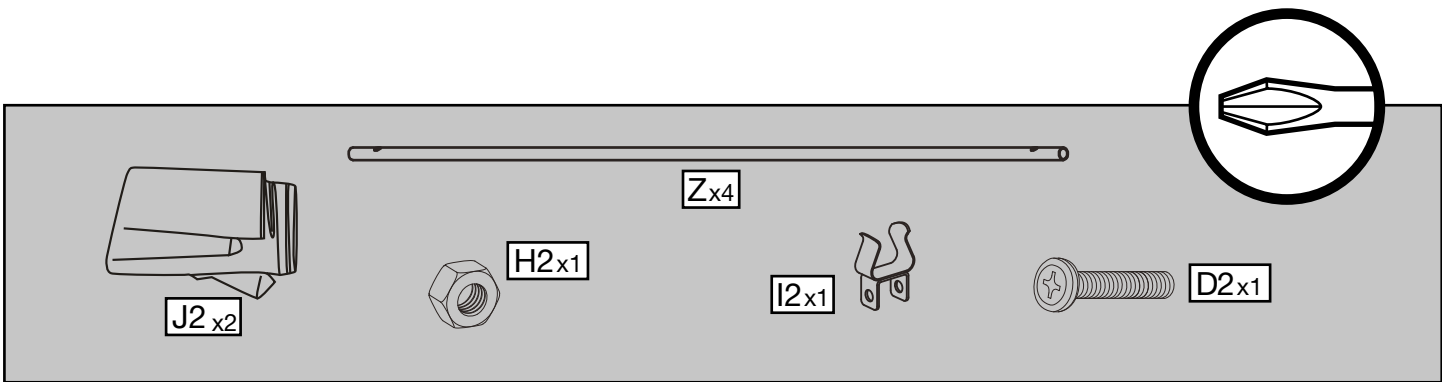
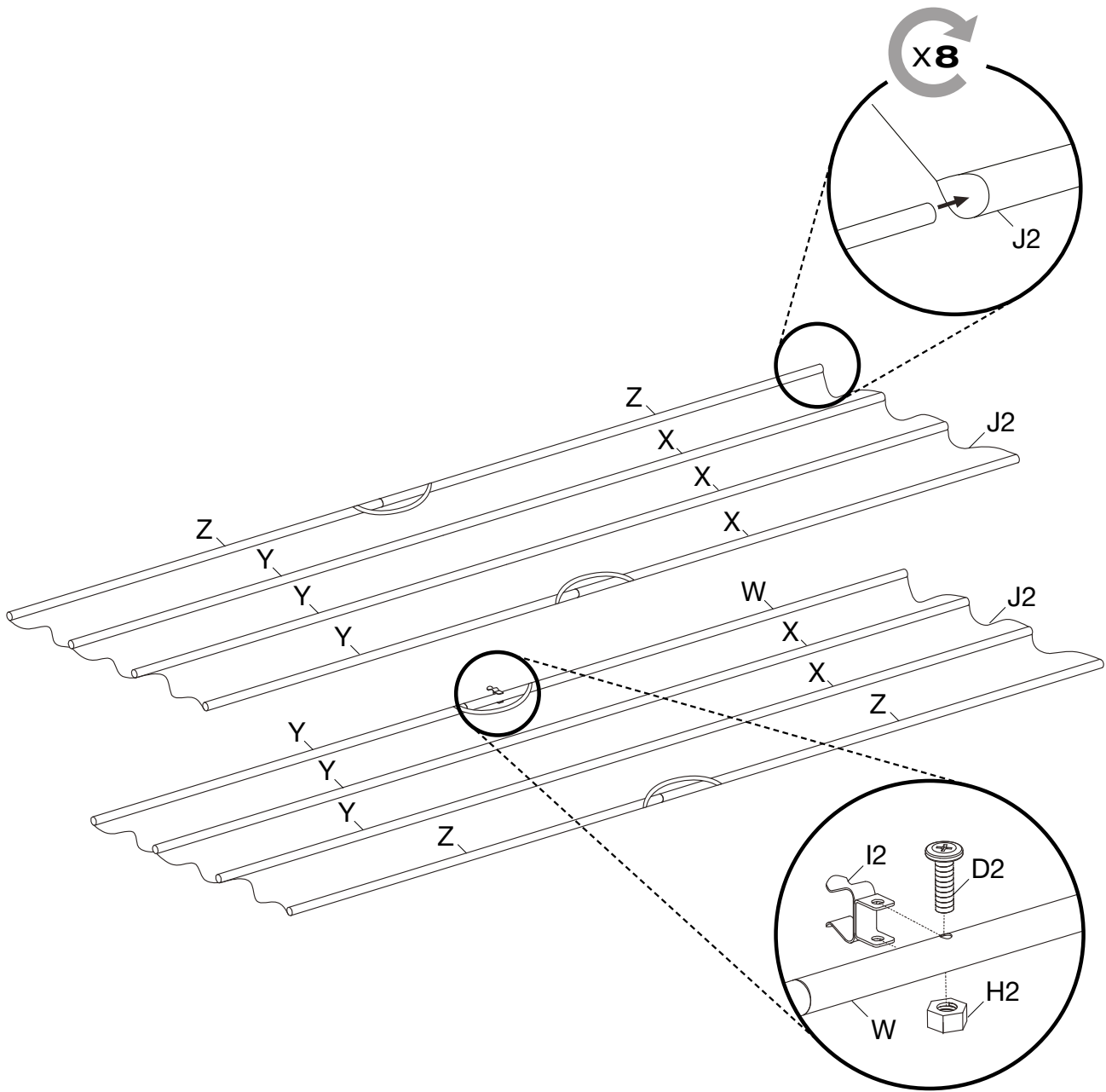
x2

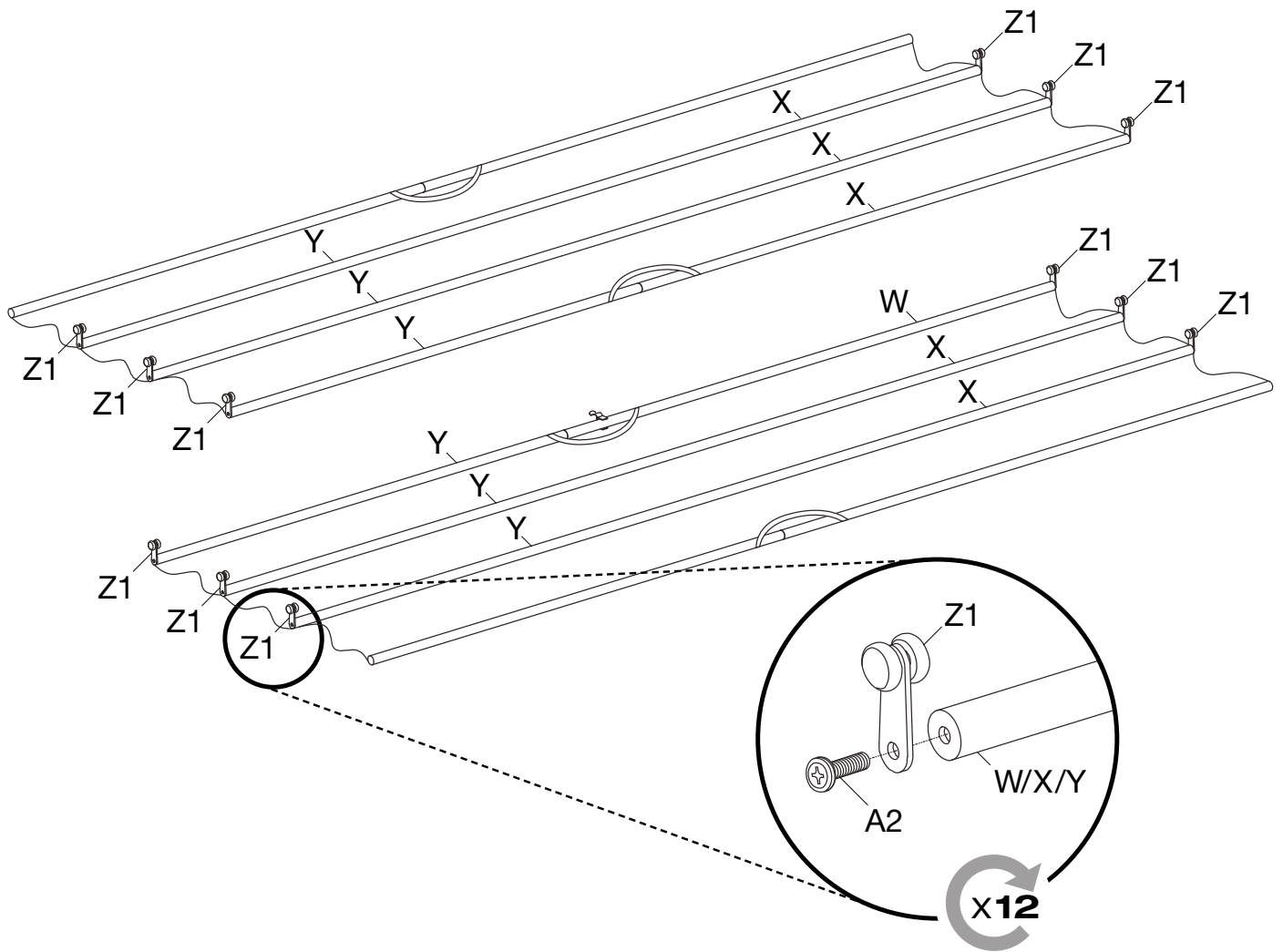
S



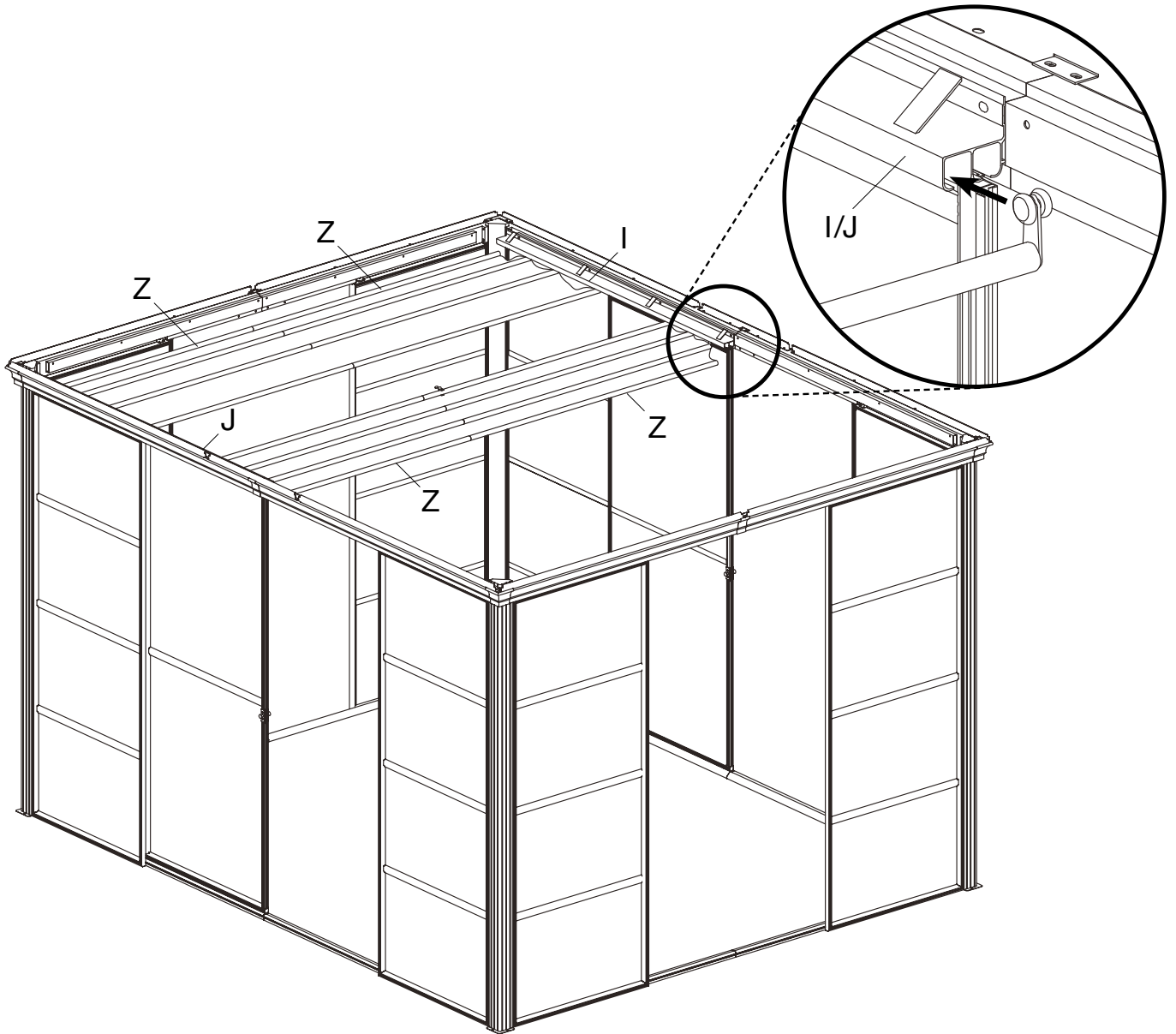
A2x8

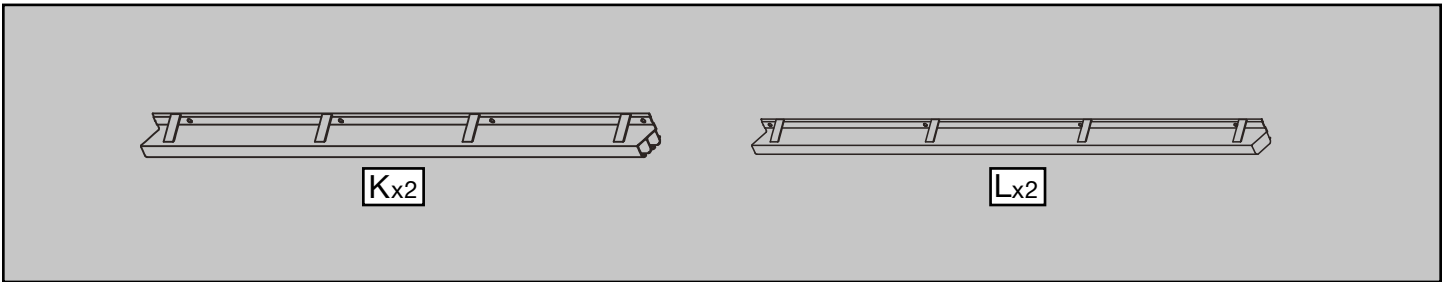
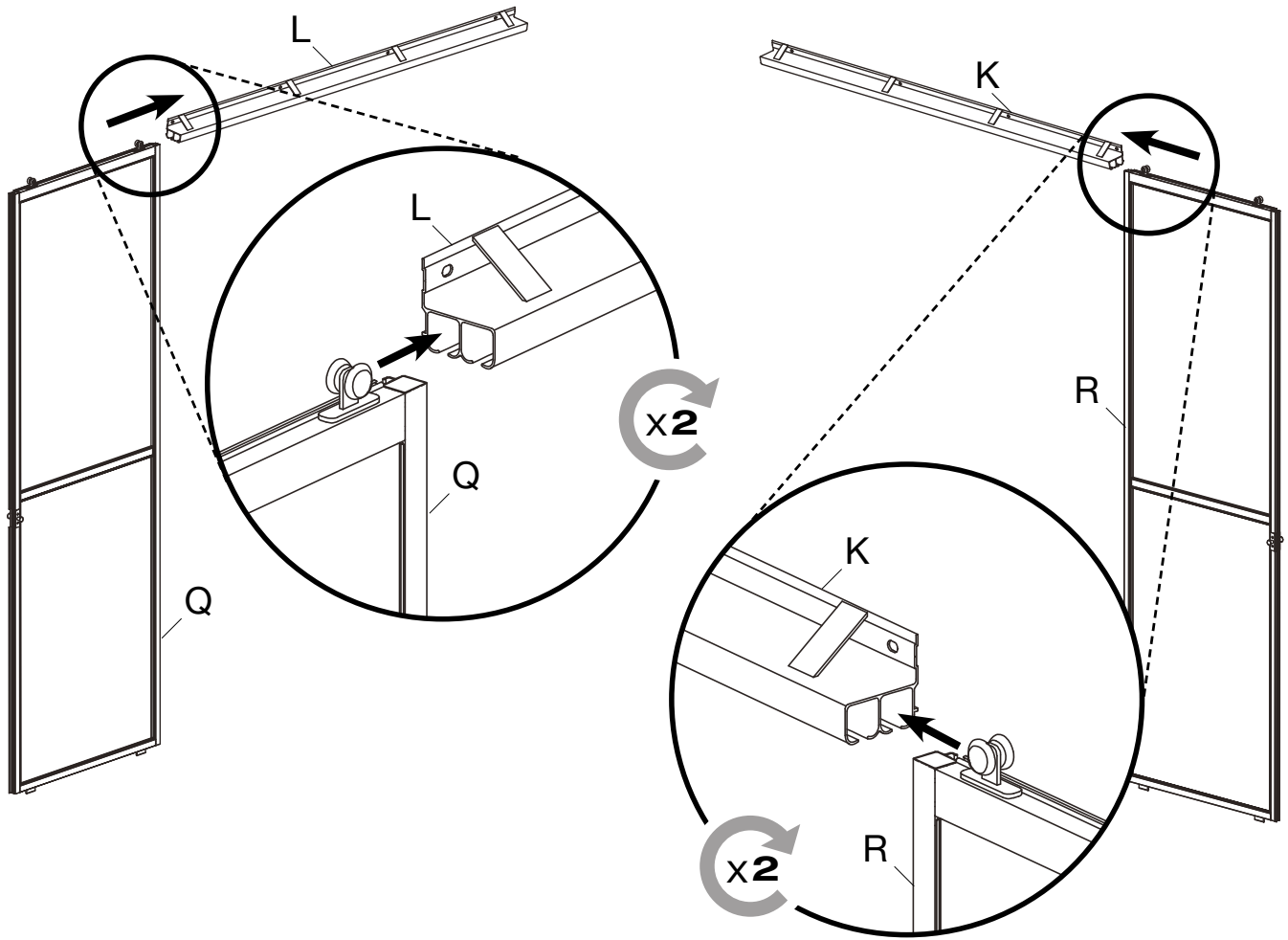


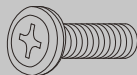
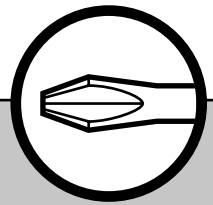
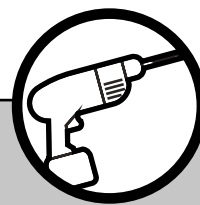
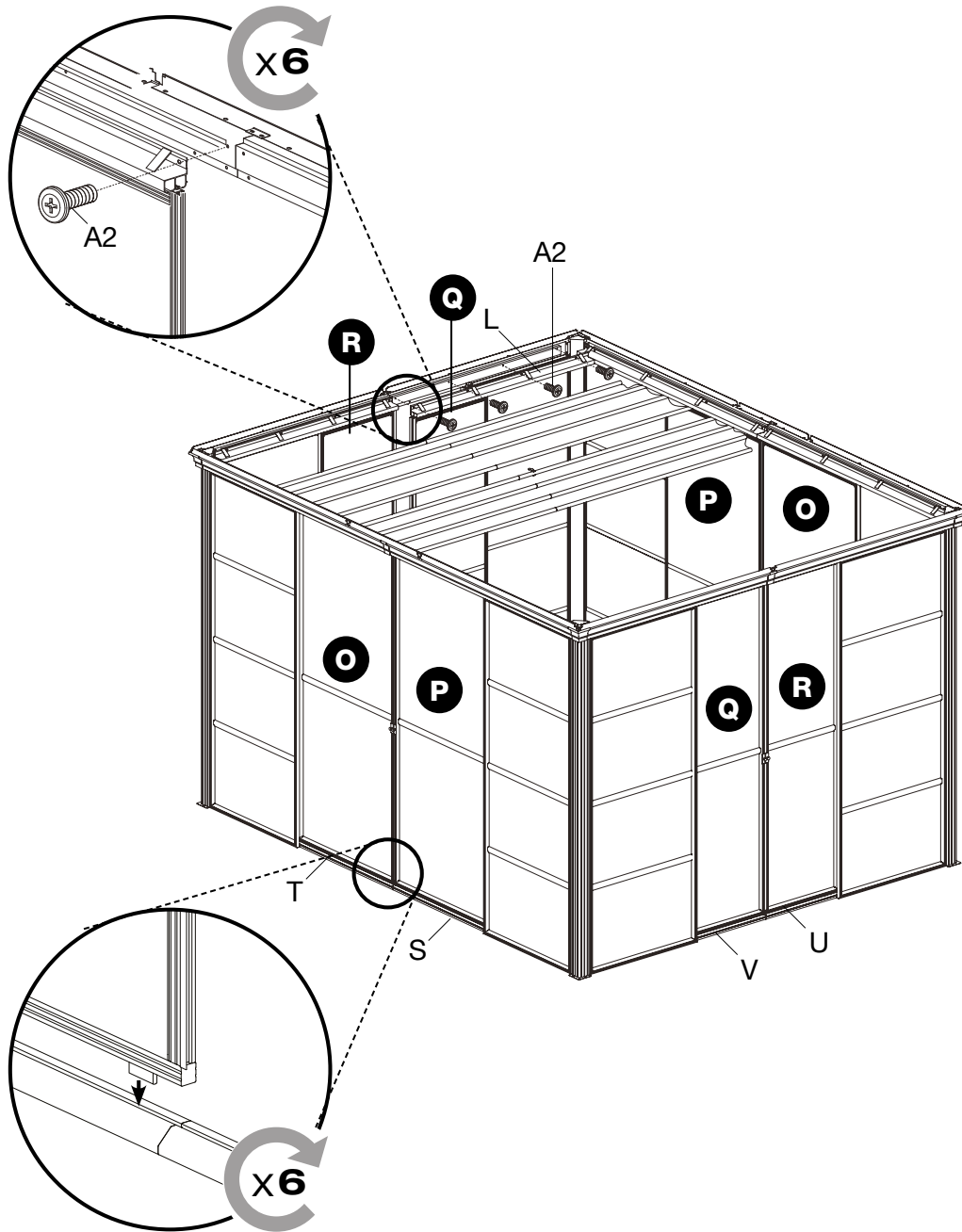




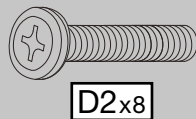
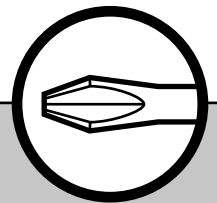
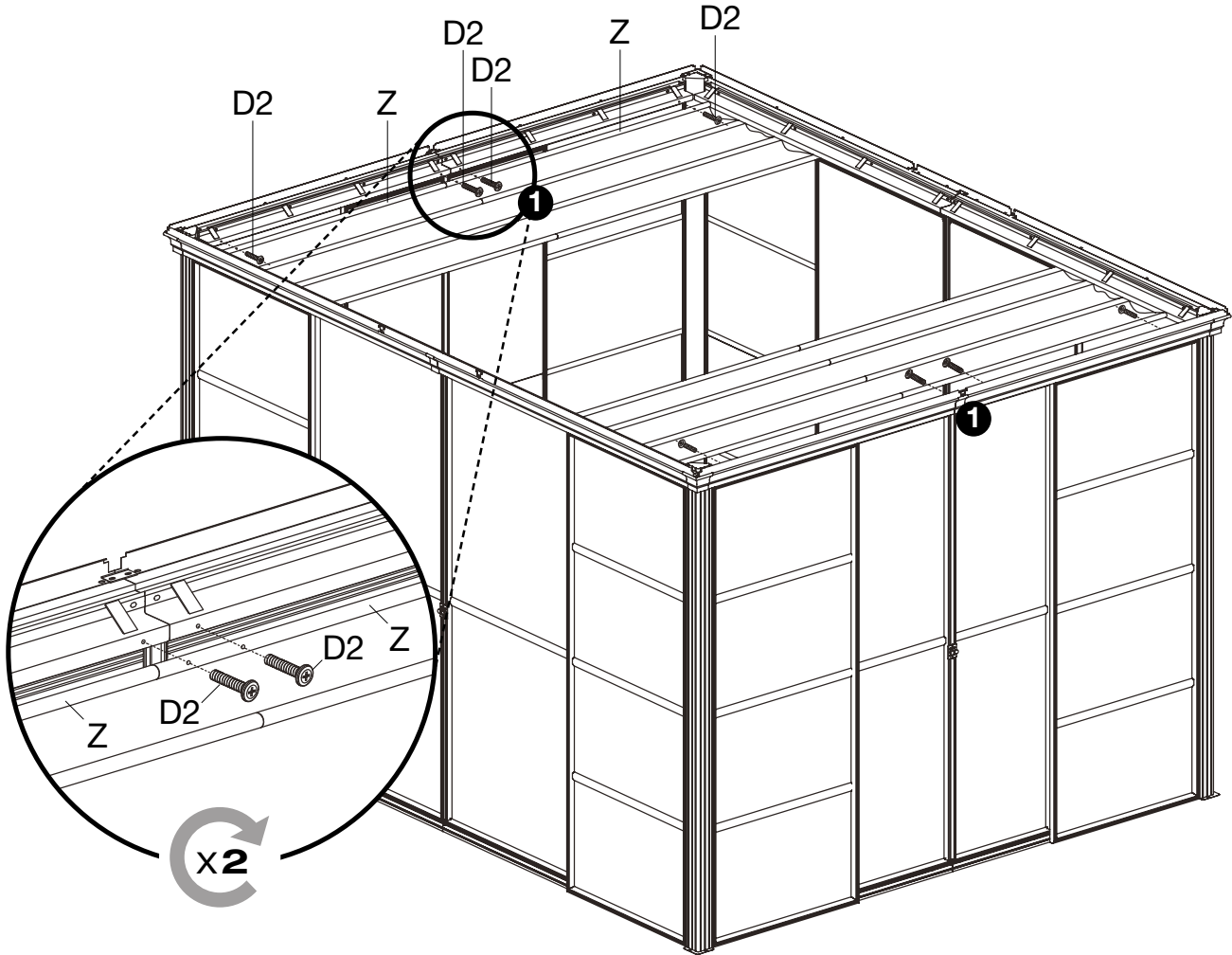
This section contains a parts list and a tool icon. On the left, there is a small icon of a Z1 bracket next to a box containing the text "Z1x12". To its right is a small icon of a screw A2 next to a box containing the text "A2x12". On the right side of this section is a circular icon containing a drawing of a flat-head screwdriver.



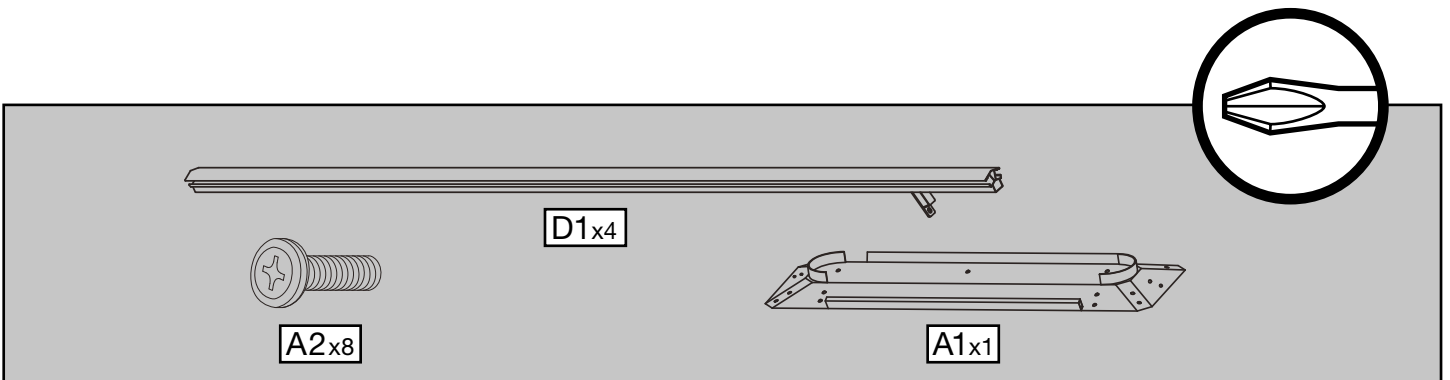
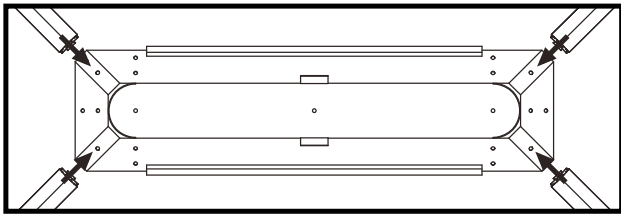
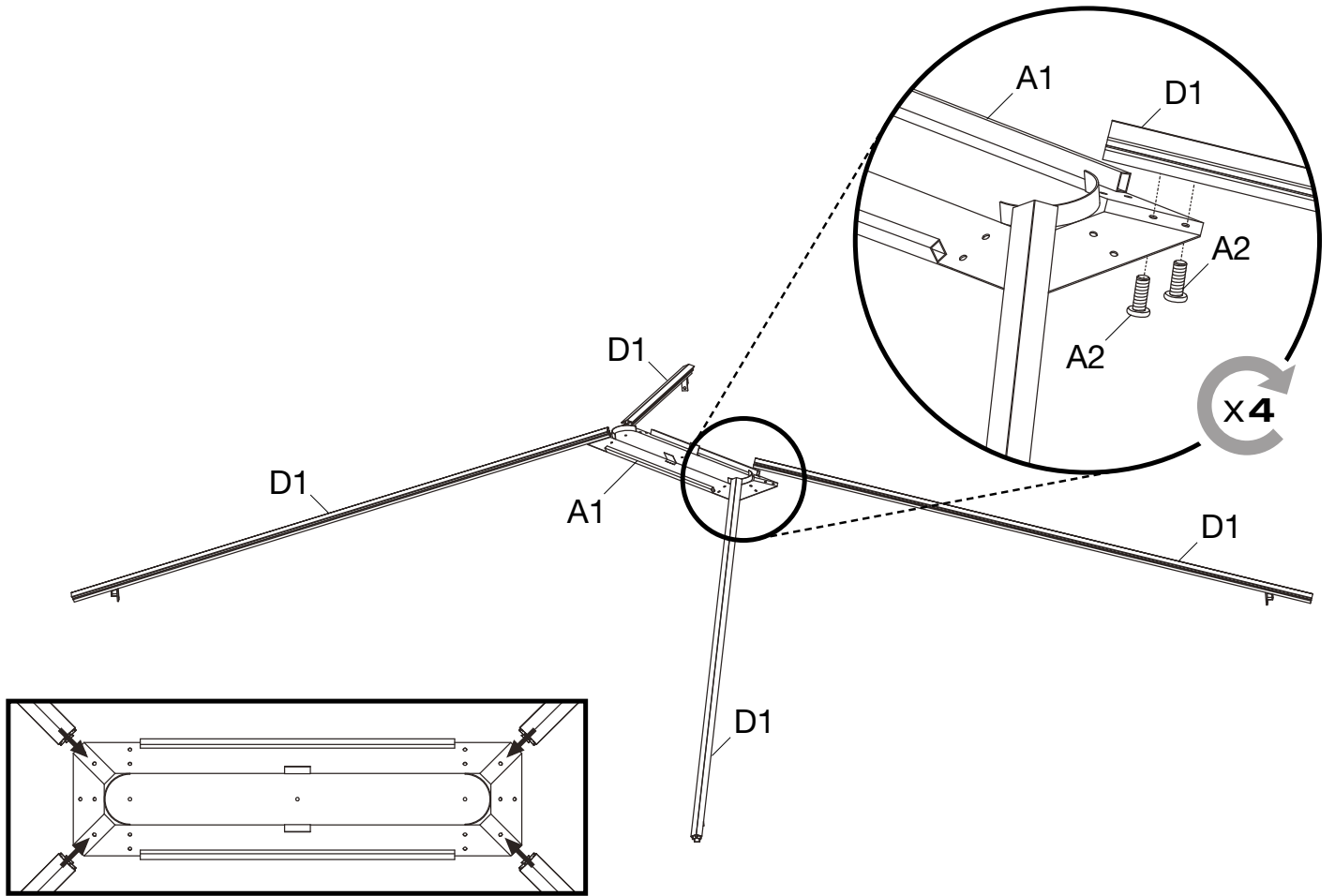


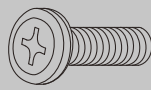
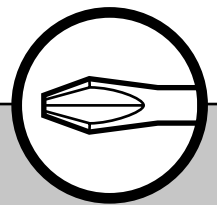
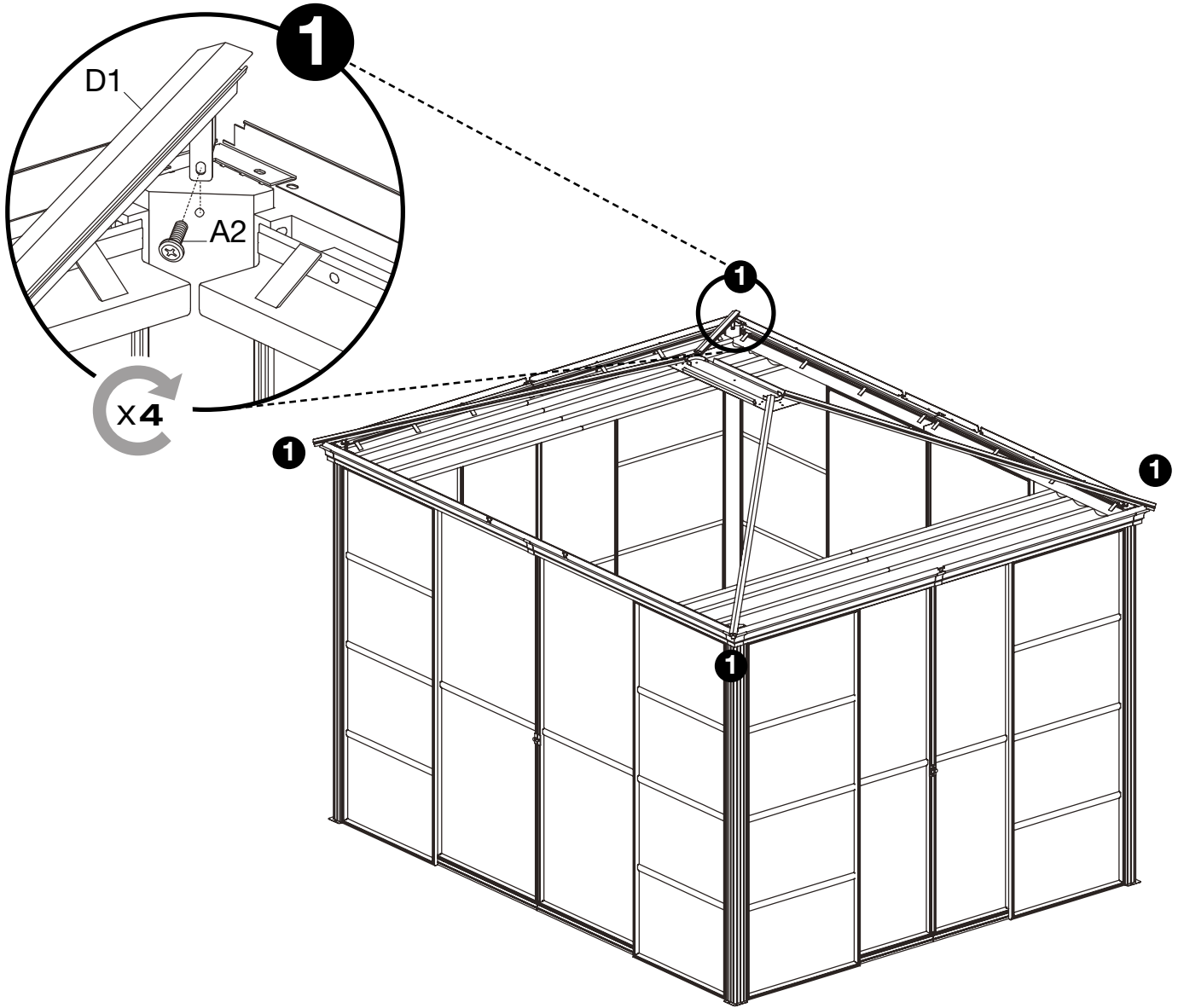


A2x24

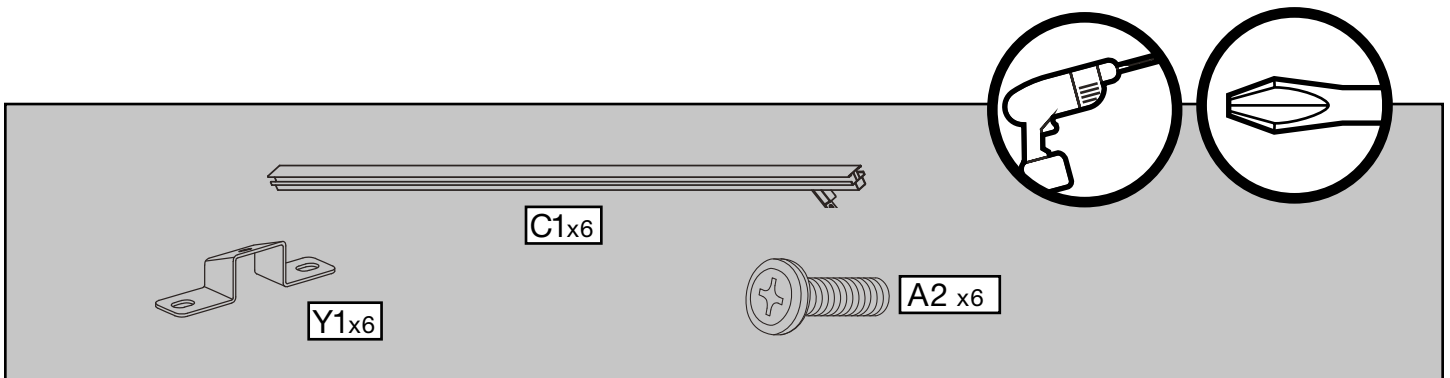
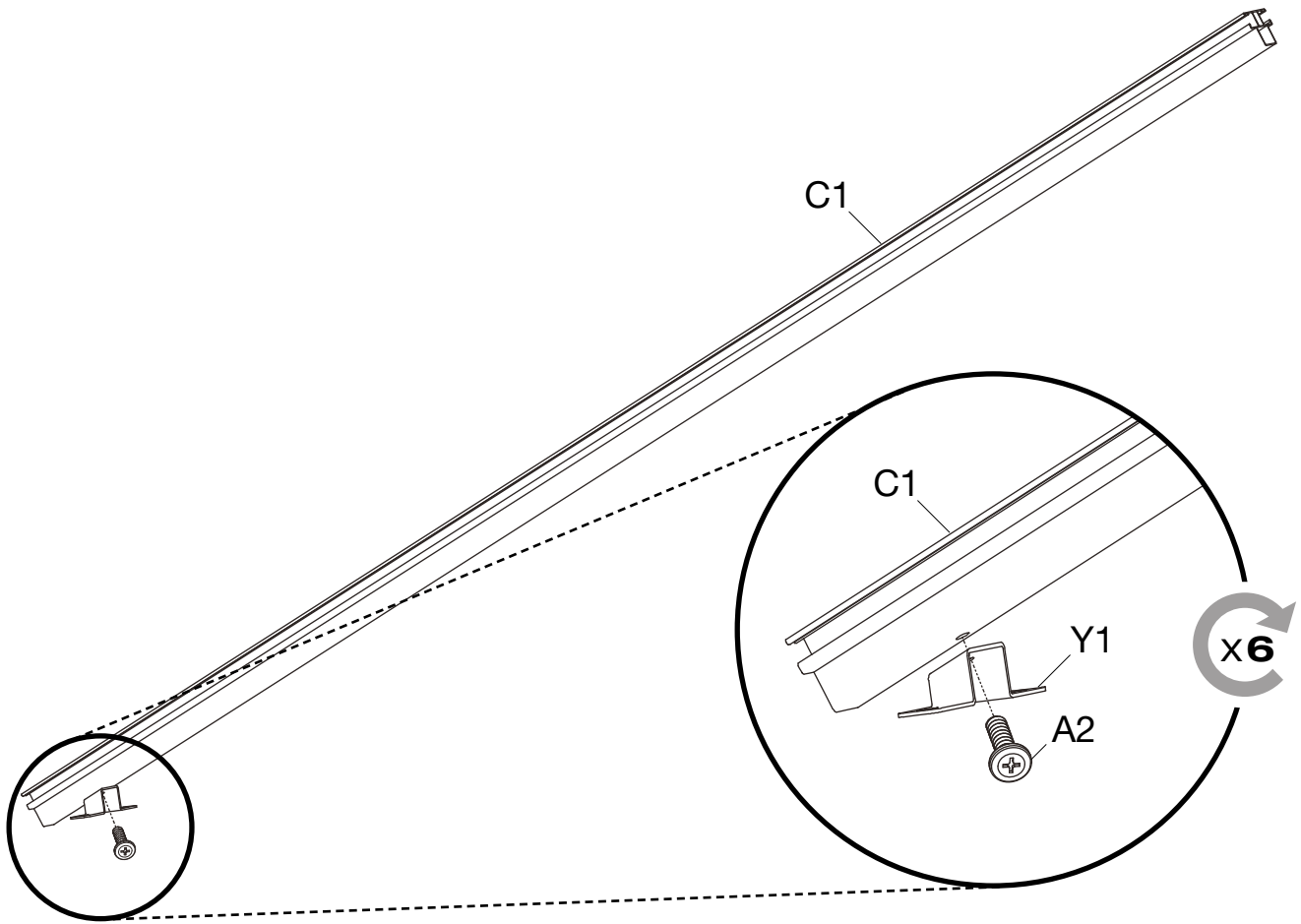




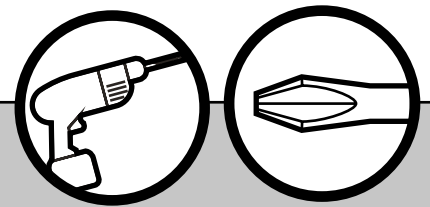
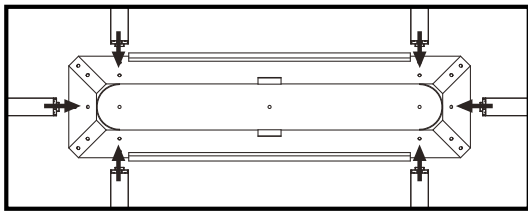
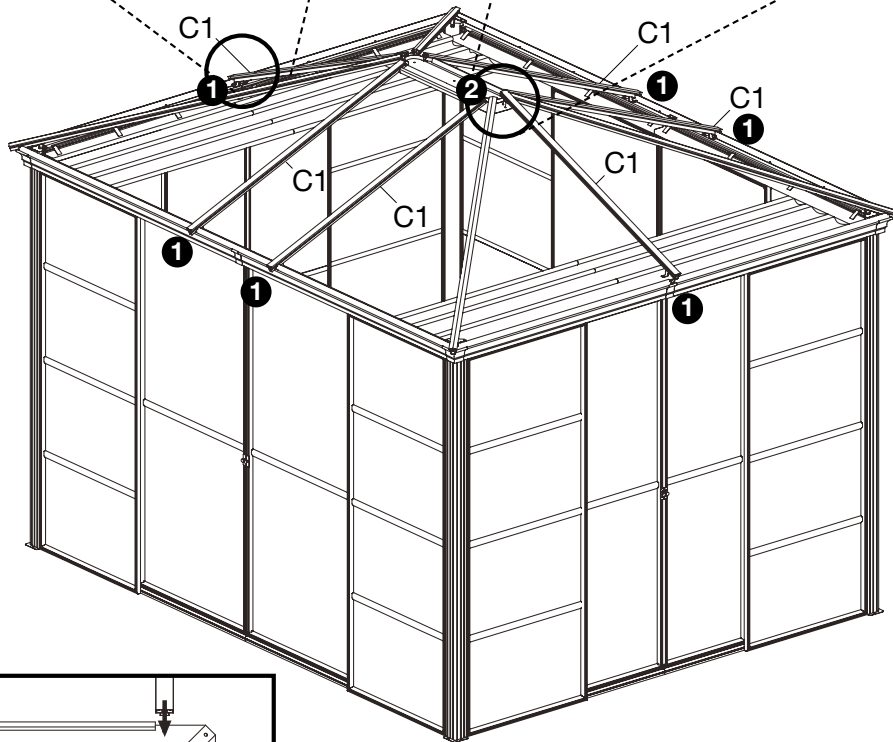
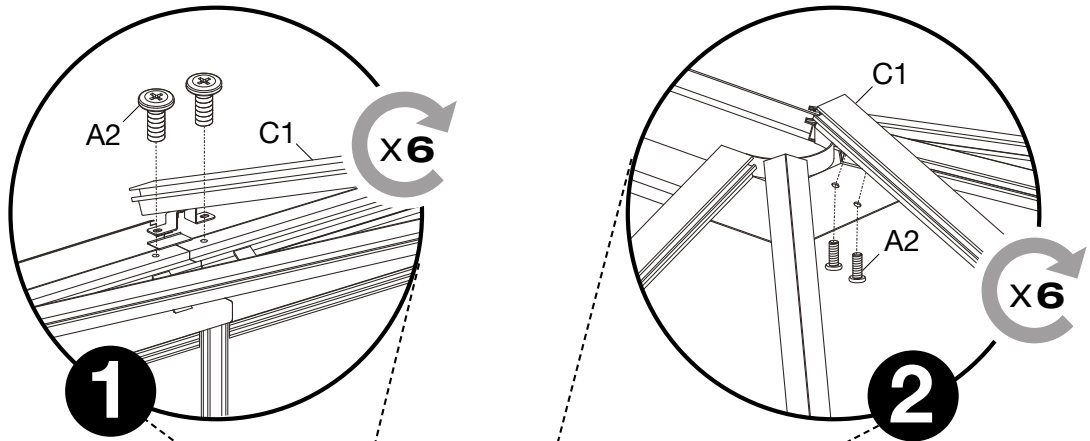


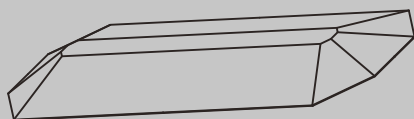
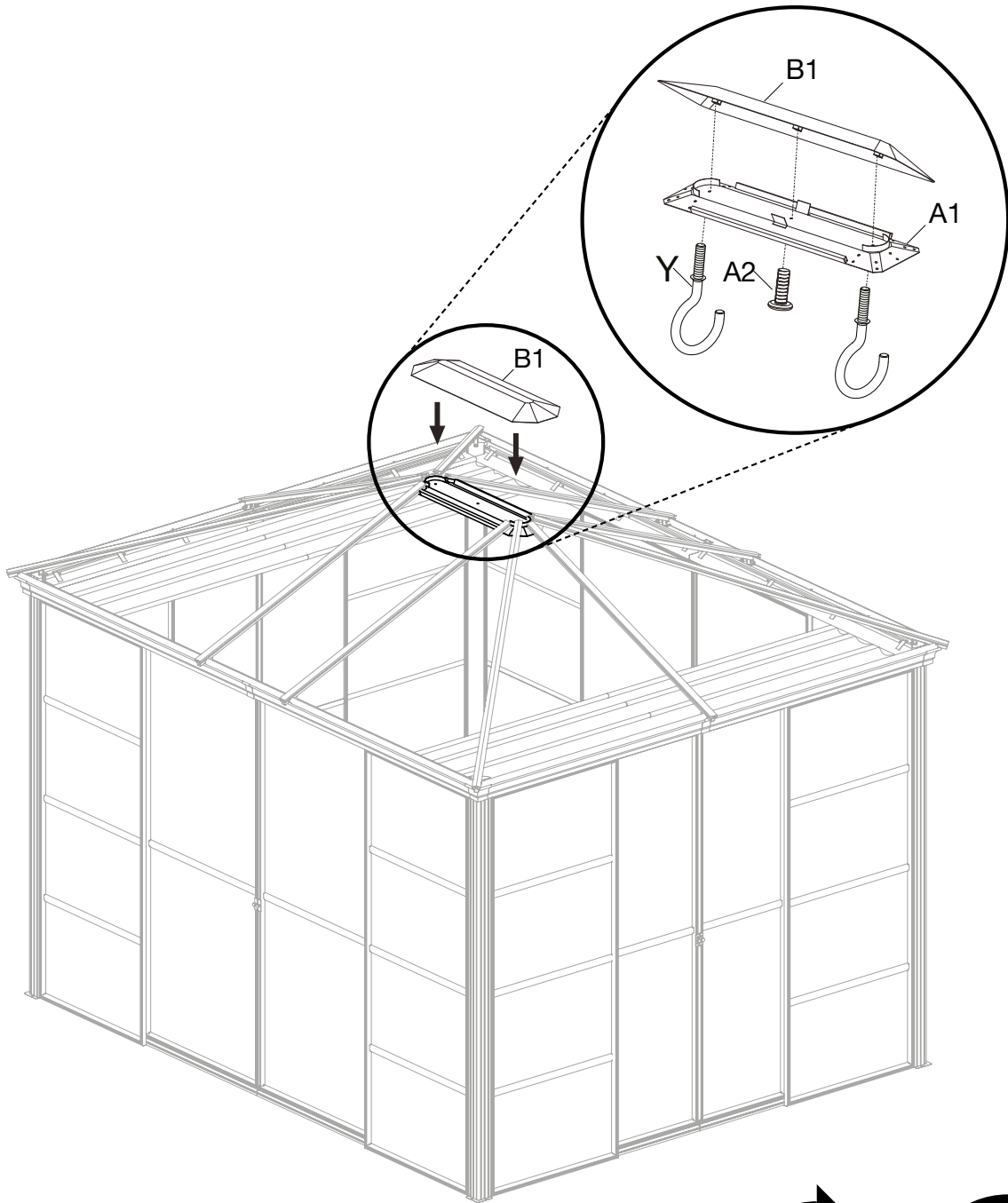


A2x4



# 21A/26





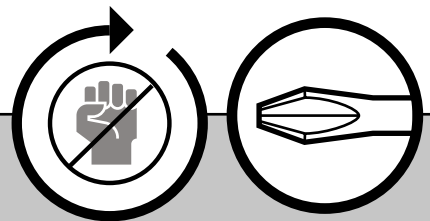
B1x1

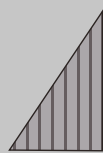
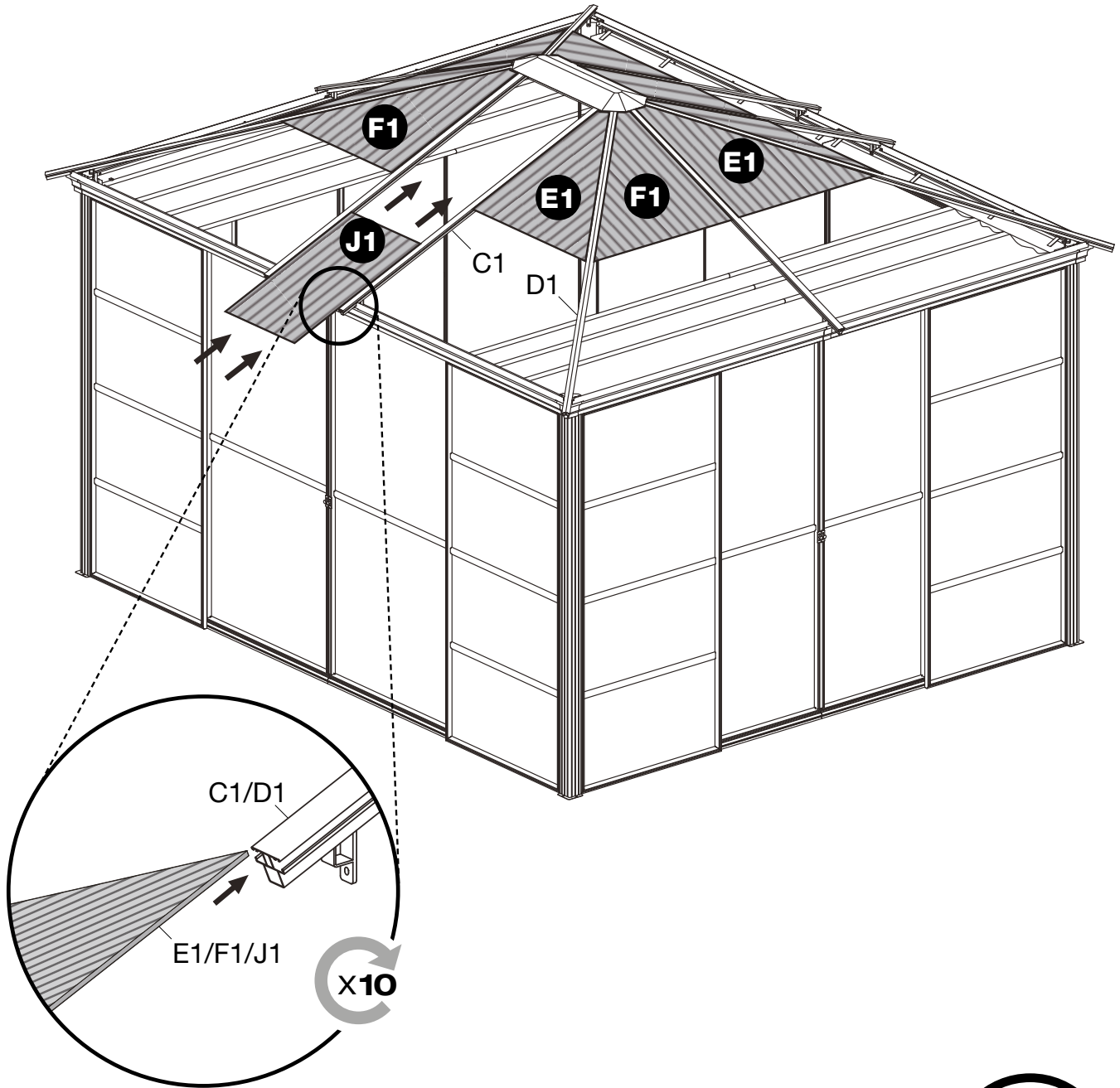


A2x1

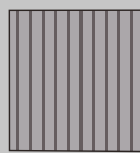


Yx2

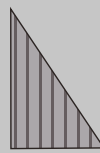




F1x4



J1x2



E1x4

